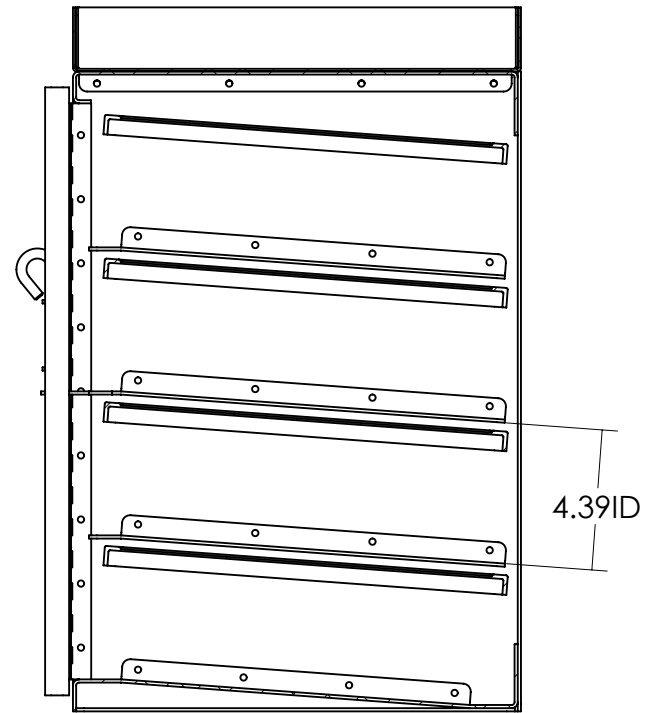
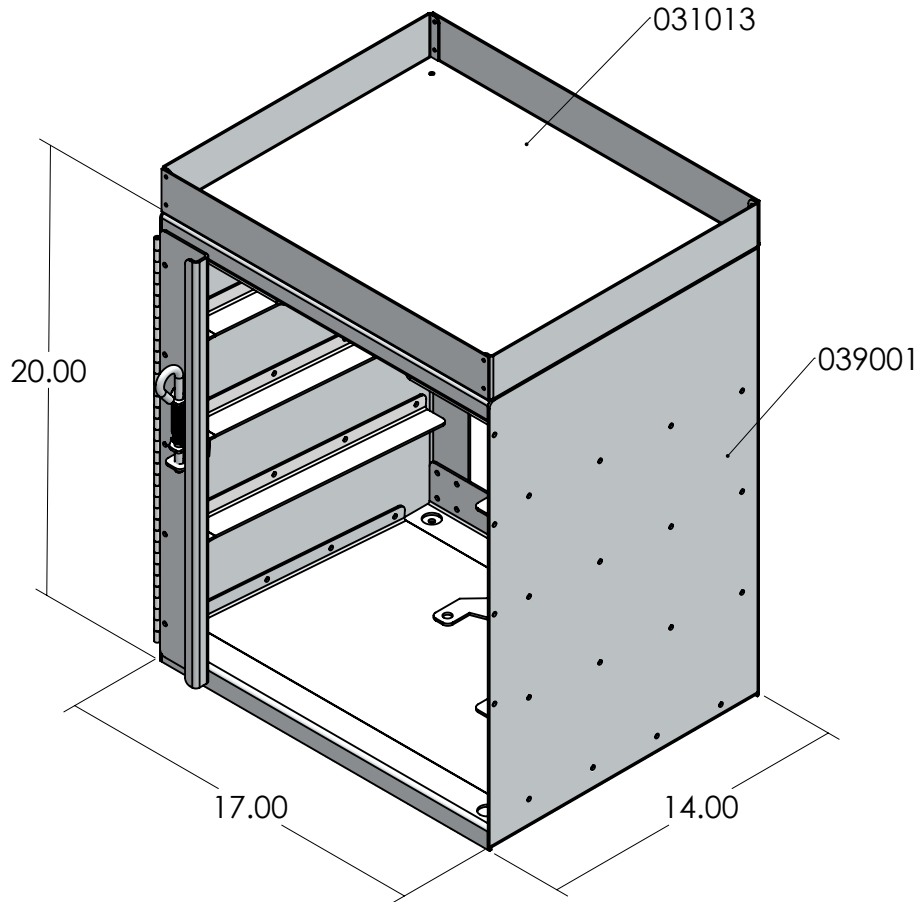


FITS:
Stanley Bin #014710R



NOTE: All dimensions are OD

#	PART NO.	QTY.	DESCRIPTION
5	642056	4	1/4"-20 Nyloc Flange Nut - Zinc
4	642062	4	1/4"-20 x 5/8" Pan Head Bolt - Zinc
3	642016	4	#10 x 1-1/2" Hex Plated Self Drill Screw
2	031013	1	Parts Organizer - 14" x 17" Top Tray (Stanley)
1	039001	1	Parts Organizer Tower Asm. - 14"W x 17"L x 20"H - Fits 4 (Stanley)

Rev. -- Weight 32.66 Lbs.



7541 Chapman Ave Unit B
Garden Grove, Ca 92841

Description Parts Organizer - 14"W x 17"L x 20"H - 4 Containers w/ Top Tray (Stanley)

Material Alum. 5052 Item No. 030001

PROPRIETARY AND CONFIDENTIAL
THE INFORMATION CONTAINED IN THIS DRAWING IS THE SOLE PROPERTY OF J&M TRUCK BODIES. ANY REPRODUCTION IN PART OR AS A WHOLE WITHOUT THE WRITTEN PERMISSION OF J&M TRUCK BODIES IS PROHIBITED.

SIZE Date 12/3/2018

A Drawn By. SCALE: 1:6

5

4

3

2

1