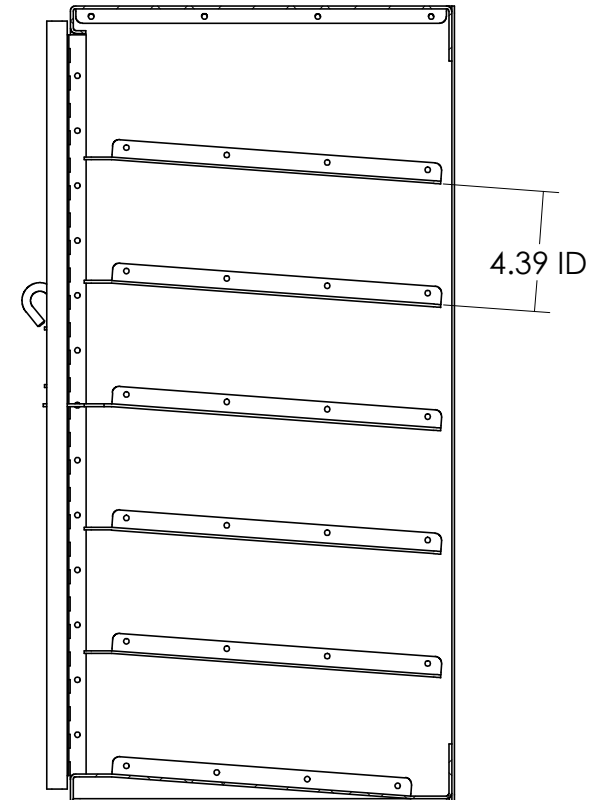
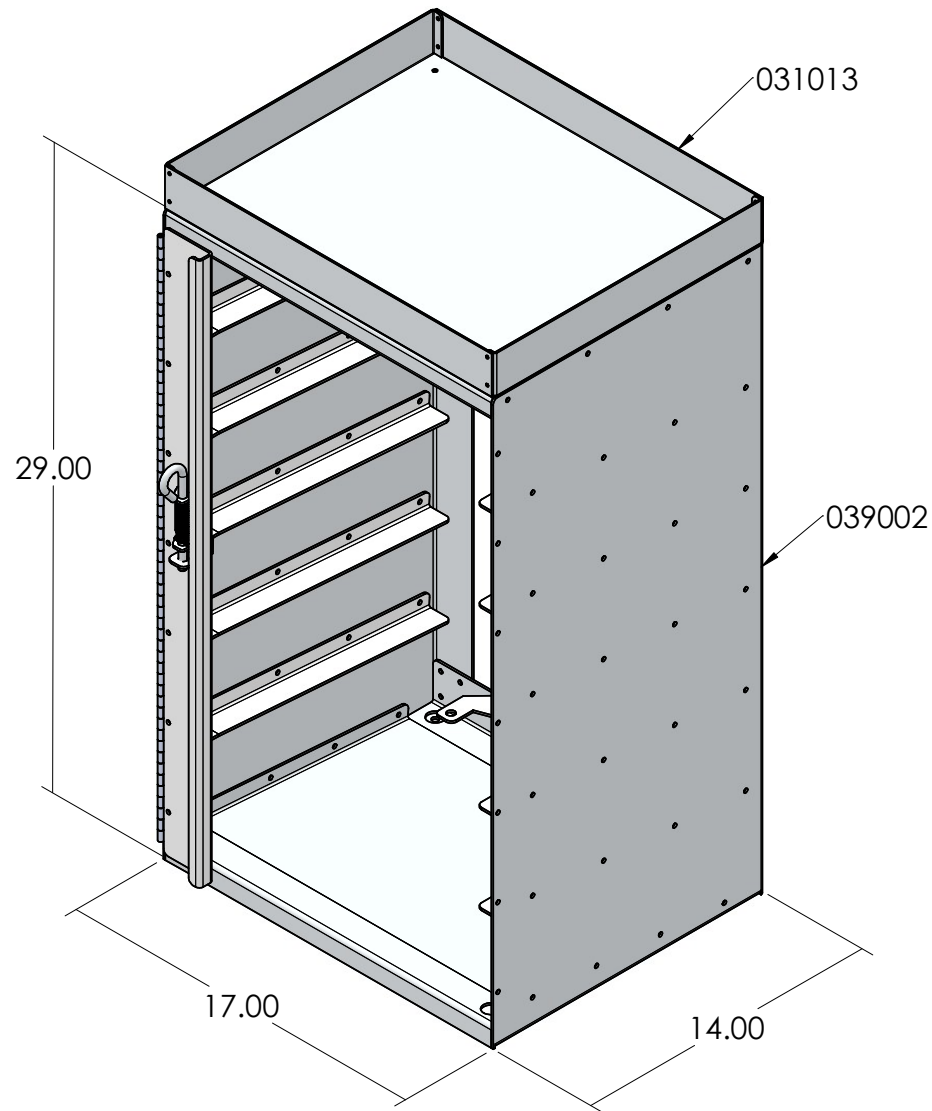


**FITS:**  
Stanley Bin #014710R



NOTE: All dimensions are OD

5	642056	4	1/4"-20 Nyloc Flange Nut - Zinc
4	642062	4	1/4"-20 x 5/8" Pan Head Bolt - Zinc
3	642016	4	#10 x 1-1/2" Hex Plated Self Drill Screw
2	031013	1	Parts Organizer - 14" x 17" Top Tray (Stanley)
1	039002	1	Parts Organizer Tower Asm. - 14"W x 17"L x 29"H - Fits 6 (Stanley)
#	PART NO.	QTY.	DESCRIPTION

Rev. Weight  
-- 44.57 Lbs.

  
7541 Chapman Ave Unit B  
Garden Grove, Ca 92841

Description Parts Organizer - 14"W x 17"L x 29"H - 6 Containers w/ Top Tray (Stanley)

Material Alum. 5052 Item No. 030002

PROPRIETARY AND CONFIDENTIAL  
THE INFORMATION CONTAINED IN THIS DRAWING IS THE SOLE PROPERTY OF J&M TRUCK BODIES. ANY REPRODUCTION IN PART OR AS A WHOLE WITHOUT THE WRITTEN PERMISSION OF J&M TRUCK BODIES IS PROHIBITED.

SIZE Date 6/6/2018  
A Drawn By.  
SCALE: 1:7

5

4

3

2

1