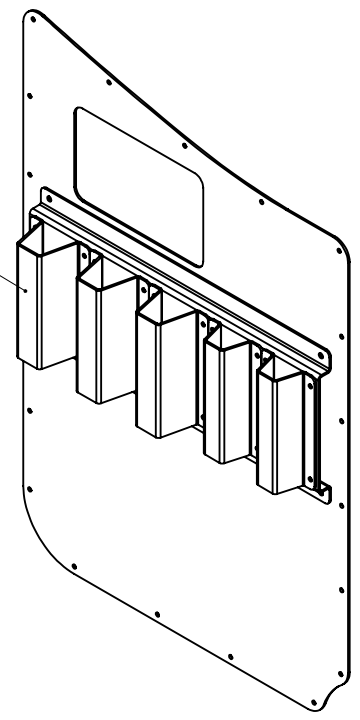
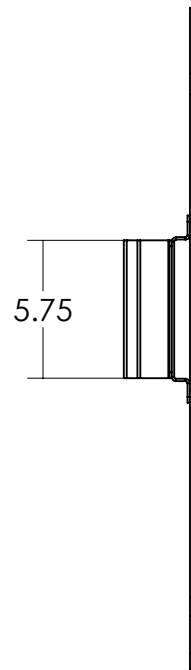


059059  
1X



#	PART NO.	QTY.	DESCRIPTION
3	642366	20	3/16 x 1/4 Grip - Alum-Steel Dome Head Rivet - Open End
2	642002	20	#8 x 3/4" Phillips Washer Head Tek Screw
1	059059	1	07+ Sprinter Door Panel - Rear Lower - Wrench Holder - Passenger

Rev. Weight  
A 7.44805 Lbs.

  
7541 Chapman Ave Unit B  
Garden Grove, Ca 92841

Description		07+ Sprinter Door Panel - Rear Lower - Wrench Holder - Passenger	
Material	Aluminum	Item No.	050059
<small>THE INFORMATION CONTAINED IN THIS DRAWING IS THE SOLE PROPERTY OF J&amp;M TRUCK BODIES. ANY REPRODUCTION IN PART OR AS A WHOLE WITHOUT THE WRITTEN PERMISSION OF J&amp;M TRUCK BODIES IS PROHIBITED.</small>		SIZE	Date
		<b>A</b>	12/4/2020
		Drawn By.	S.Gutierrez
		SCALE:	1:8