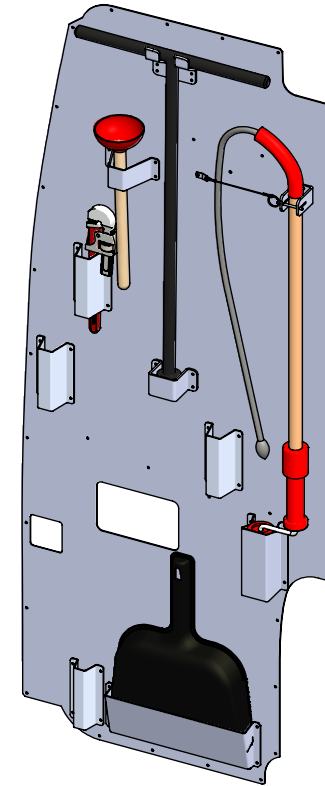
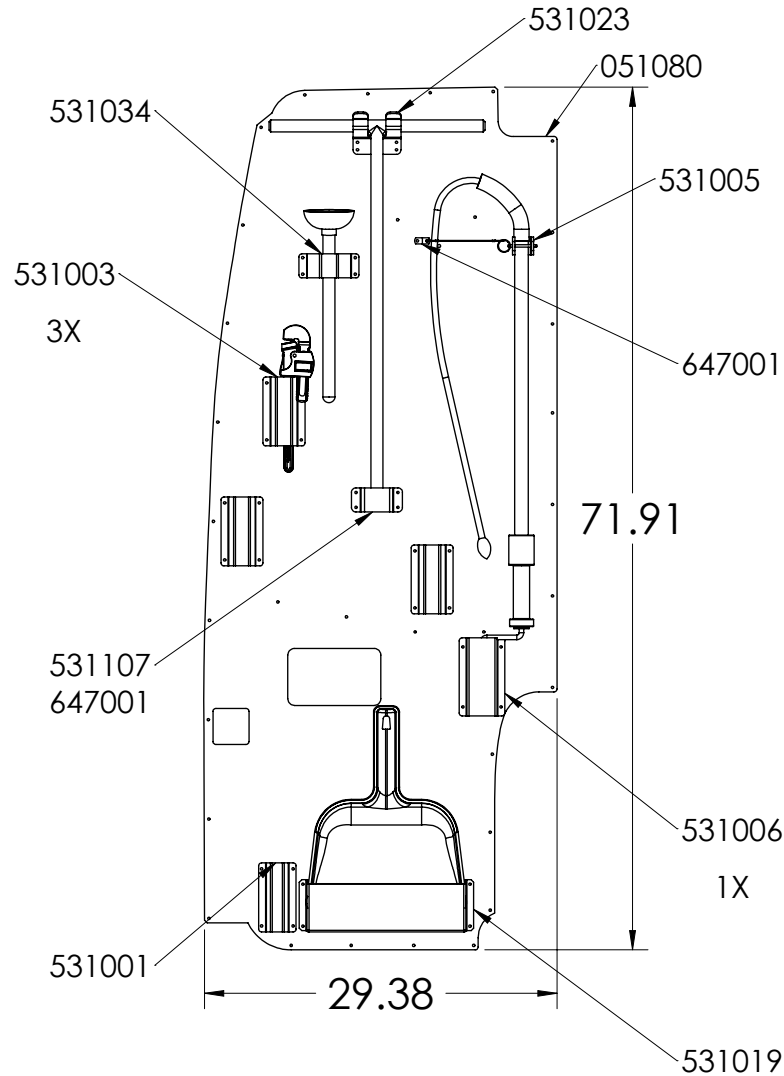


REVISIONS			
REV.	DESCRIPTION	DATE	REVISED BY
-	Added QUICK-RELEASE PIN(647001) TO 059080	7/12/2018	T.N



#	PART NO.	QTY.	DESCRIPTION
10	647001	1	SS Quick-Release Pin 3/16" x 2" - w/6" Lanyard
9	531023	1	Universal T-Tube Upper Mount
8	531034	1	Plunger Upper Mount
7	531105	1	Auger Mount - Vertical - Top
6	531006	1	Auger Large Mount - Vertical - Bottom
5	531001	1	Small Wrench Holder - w/Holes
4	531003	3	Big Wrench Holder - w/Holes
3	531024	1	Water Key Lower Mount
2	531019	1	Small Dust Pan Holder - Mount
1	051080	1	07+ Sprinter HR Door Panel - Rear Full Passenger - Tool Mount

Rev. Weight
-- 20.35 Lbs.

7541 Chapman Ave Unit B
Garden Grove, Ca 92841

Description 07+ Sprinter HR Door Panel - Rear Full Passenger - Tool Mount

Material Aluminum Item No. 059080

PROPRIETARY AND CONFIDENTIAL
THE INFORMATION CONTAINED IN THIS DRAWING IS THE SOLE PROPERTY OF J&M TRUCK BODIES. ANY REPRODUCTION IN PART OR AS A WHOLE WITHOUT THE WRITTEN PERMISSION OF J&M TRUCK BODIES IS PROHIBITED.

Size Date 12/22/2021
A Drawn By S.Gutierrez
SCALE: 1:12