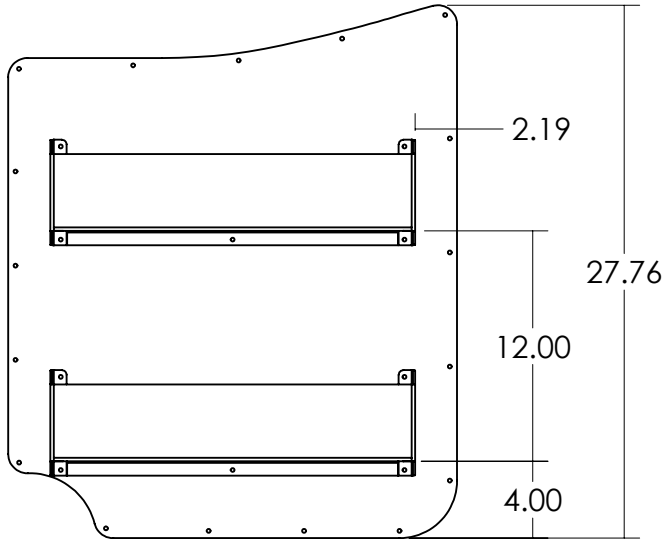
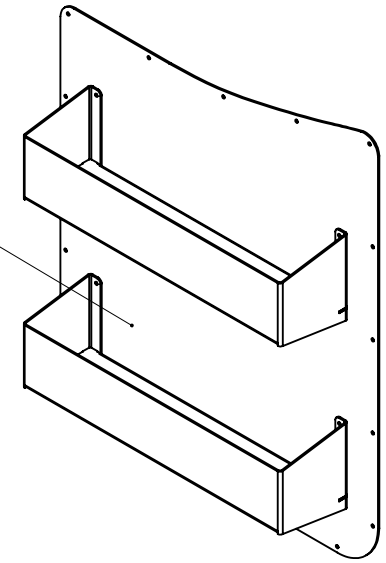




059083  
1X



3	642366	17	3/16 x 1/4 Grip - Alum-Steel Dome Head Rivet - Open End
2	642002	17	#8 x 3/4" Phillips Washer Head Tek Screw
1	059083	1	07+ Sprinter Door Panel - Rear Lower Driver - Tray Asm.
#	PART NO.	QTY.	DESCRIPTION

Rev. A Weight 10.16746 Lbs.  
  
 7541 Chapman Ave Unit B  
 Garden Grove, Ca 92841

Description	2007-2018 Sprinter Door Panel - Rear Lower Driver - Tray		
Material	Aluminum	Item No.	050083
PROPRIETARY AND CONFIDENTIAL	SIZE	Date	12/4/2020
<small>THE INFORMATION CONTAINED IN THIS DRAWING IS THE SOLE PROPERTY OF J&amp;M TRUCK BODIES. ANY REPRODUCTION IN PART OR AS A WHOLE WITHOUT THE WRITTEN PERMISSION OF J&amp;M TRUCK BODIES IS PROHIBITED.</small>			<b>A</b> Drawn By. SCALE: 1:8

5

4

3

2

1