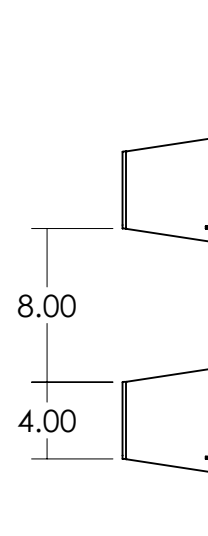
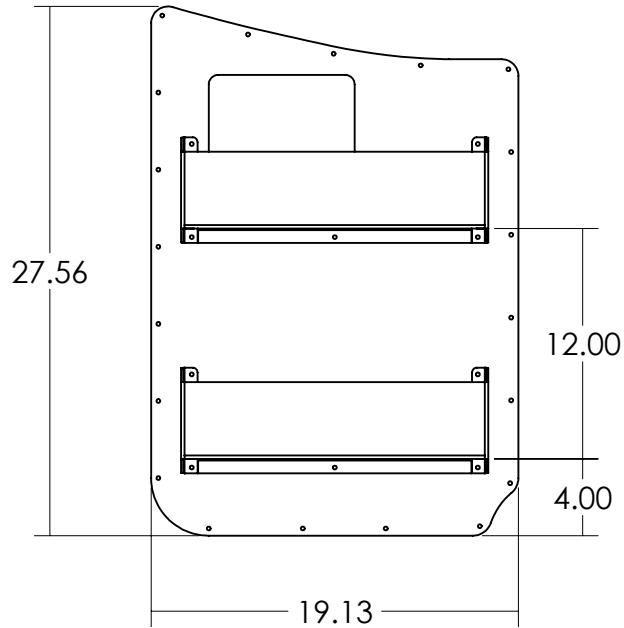
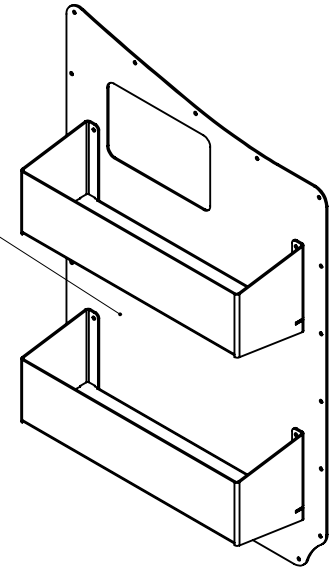


059084
1X



3	642366	20	3/16 x 1/4 Grip - Alum-Steel Dome Head Rivet - Open End
2	642002	20	#8 x 3/4" Phillips Washer Head Tek Screw
1	059084	1	07+ Sprinter Door Panel - Rear Lower Passenger - Tray Asm.
#	PART NO.	QTY.	DESCRIPTION

Rev. Weight
A 8.30845 Lbs.



7541 Chapman Ave Unit B
Garden Grove, Ca 92841

Description 2007-2018Sprinter Door Panel - Rear Lower Passenger - Tray

Material Aluminum Item No. 050084

PROPRIETARY AND CONFIDENTIAL THE INFORMATION CONTAINED IN THIS DRAWING IS THE SOLE PROPERTY OF J&M TRUCK BODIES. ANY REPRODUCTION IN PART OR AS A WHOLE WITHOUT THE WRITTEN PERMISSION OF J&M TRUCK BODIES IS PROHIBITED. SIZE Date 12/4/2020

Drawn By. SCALE: 1:8

5

4

3

2

1