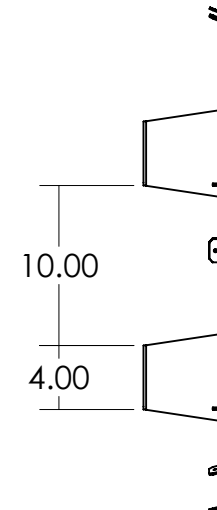
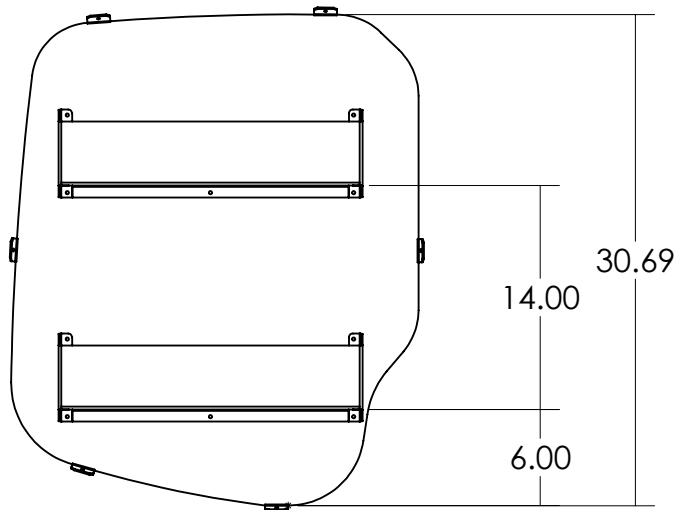
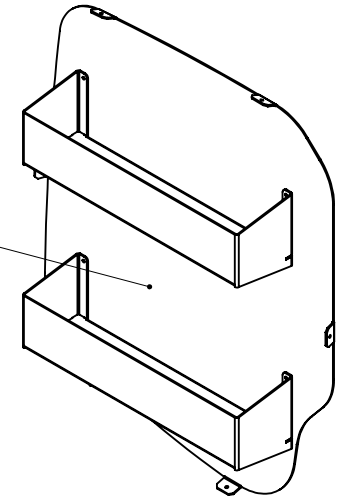


059090



3	642002	6	#8 x 3/4" Phillips Washer Head Tek Screw
2	642366	6	3/16 x 1/4 Grip - Alum-Steel Dome Head Rivet - Open End
1	059090	1	07+ Sprinter Door Panel - Rear Upper Passenger - Tray Asm.
#	PART NO.	QTY.	DESCRIPTION

Rev. Weight  
A 11.25905 Lbs.



7541 Chapman Ave Unit B  
Garden Grove, Ca 92841

Description 2007-2018 Sprinter Door Panel - Rear Upper Passenger - Tray

Material Aluminum Item No. 050090

PROPRIETARY AND CONFIDENTIAL THE INFORMATION CONTAINED IN THIS DRAWING IS THE SOLE PROPERTY OF J&M TRUCK BODIES. ANY REPRODUCTION IN PART OR AS A WHOLE WITHOUT THE WRITTEN PERMISSION OF J&M TRUCK BODIES IS PROHIBITED. SIZE Date 12/7/2020

Drawn By. SCALE: 1:8