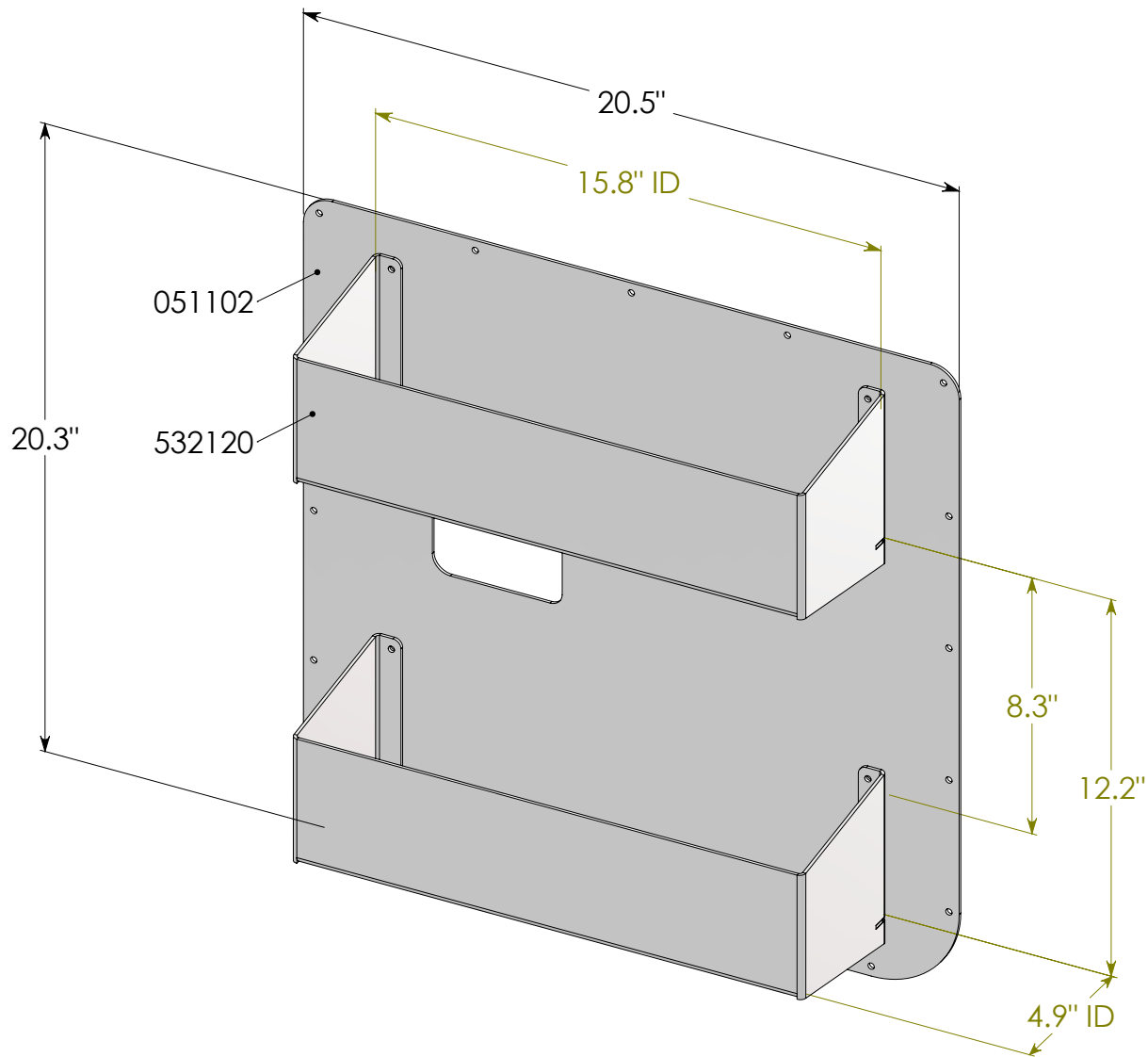


REVISIONS			
REV.	DESCRIPTION	DATE	REVISED BY
-	Initial Release	6/29/2018	TN



5	642002	18	#8 x 3/4" Washer Head Tek Screws
4	642026	8	10-24 Flanged Nyloc Nut
3	642042	8	10-24 x 5/8" Flat Phillips Head Screw
2	532120	2	Slant-top Tray - 16"w x 4"h x 5"d
1	051102	1	12+ NV Rear Lower Replacement Panel - Trays Alum. - Passenger
#	PART NO.	QTY.	DESCRIPTION

Rev. Weight
-- Lbs.



7541 Chapman Ave Unit B
Garden Grove, Ca 92841

Description 12+ NV Replacement Door Panel - Rear Lower Passenger - Tray

Material .100 5052 Alum. Item No. 050102

PROPRIETARY AND CONFIDENTIAL SIZE Date 10/1/2024

THE INFORMATION CONTAINED IN THIS DRAWING IS THE SOLE PROPERTY OF J&M TRUCK BODIES. ANY REPRODUCTION IN PART OR AS A WHOLE WITHOUT THE WRITTEN PERMISSION OF J&M TRUCK BODIES IS PROHIBITED.

A Drawn By. SCALE: 1:5

5

4

3

2

1