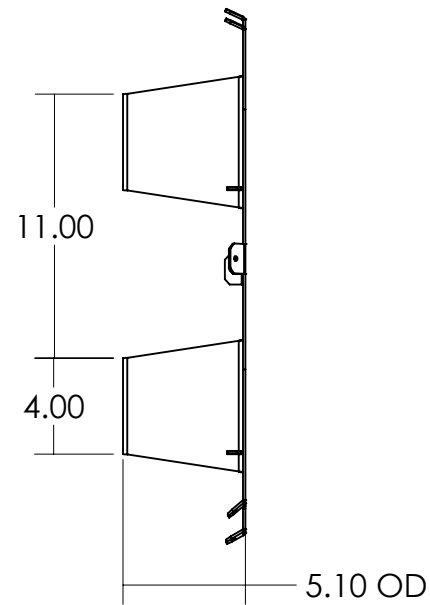
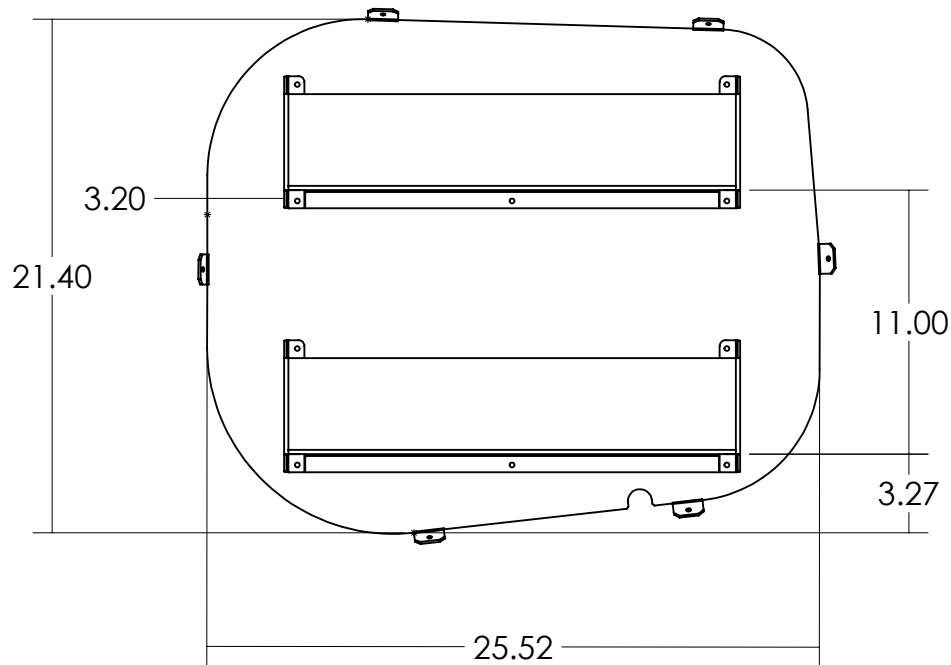
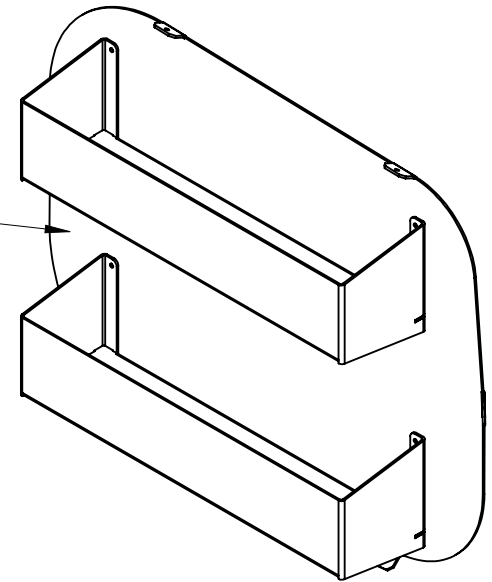


059107



3	642366	6	3/16 x 1/4 Grip - Alum-Steel Dome Head Rivet - Open End
2	642002	6	#8 x 3/4" Phillips Washer Head Tek Screw
1	059107	1	12+ NV Door Panel - Upper Driver - Tray Asm.
#	PART NO.	QTY.	DESCRIPTION

Rev. Weight  
A 9.31 8.45 Lbs.



7541 Chapman Ave Unit B  
Garden Grove, Ca 92841

Description  
12+ NV Door Panel - Upper Driver - Tray

Material Aluminum Item No. 050107

**PROPRIETARY AND CONFIDENTIAL**  
THE INFORMATION CONTAINED IN THIS DRAWING IS THE SOLE PROPERTY OF J&M TRUCK BODIES, ANY REPRODUCTION IN PART OR AS A WHOLE WITHOUT THE WRITTEN PERMISSION OF J&M TRUCK BODIES IS PROHIBITED.

SIZE Date  
A 11/20/2020  
Drawn By. S.Gutierrez  
SCALE: 1:8

5

4

3

2

1