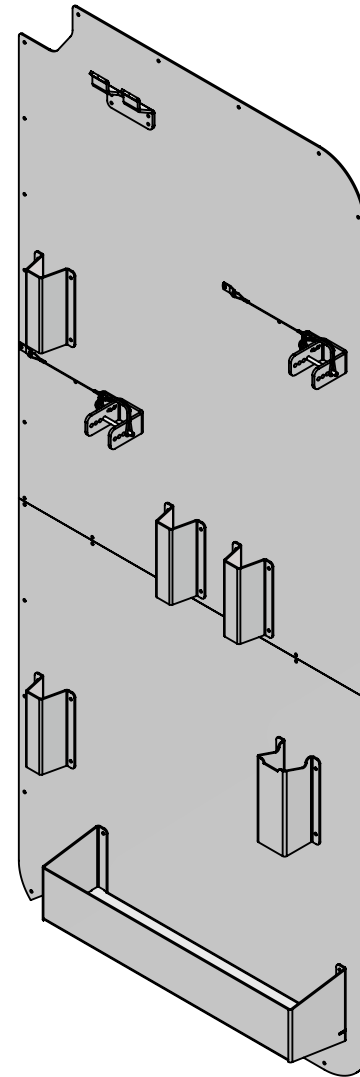
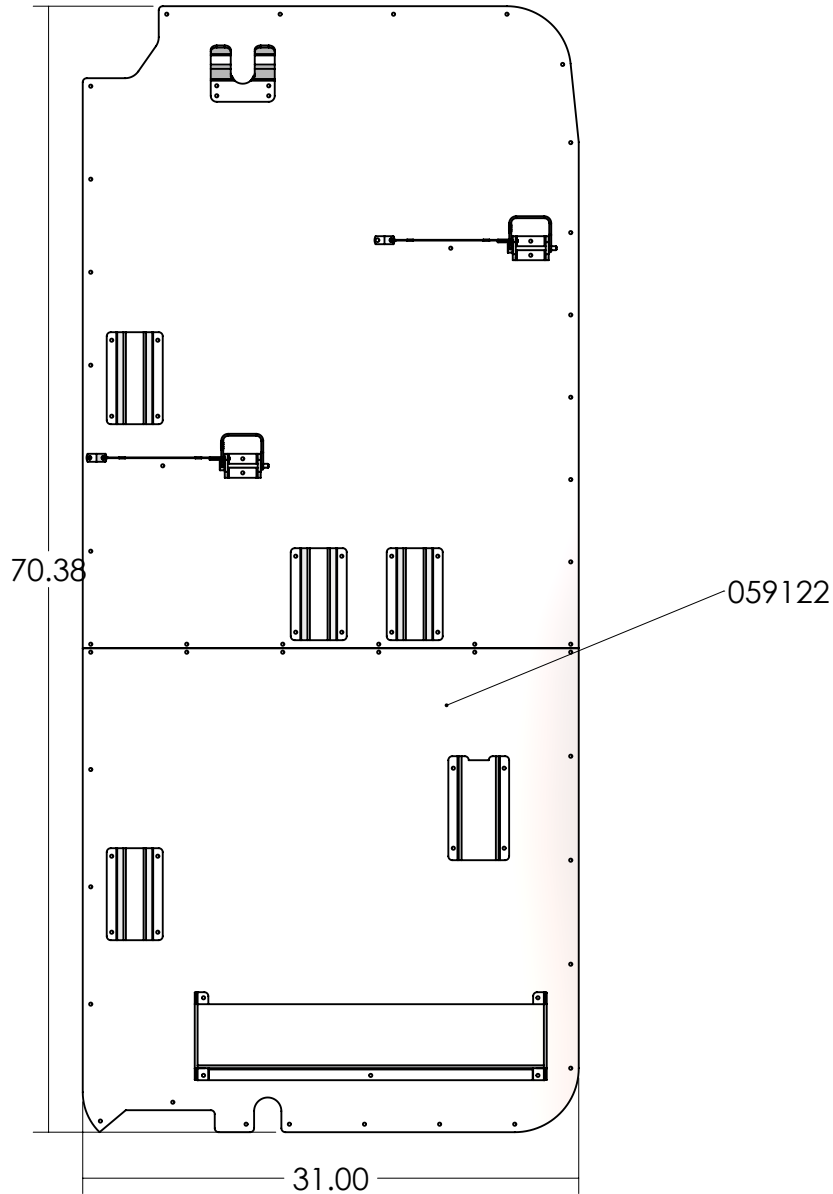


| REVISIONS |                         |           |            |
|-----------|-------------------------|-----------|------------|
| REV.      | DESCRIPTION             | DATE      | REVISED BY |
| A         | MADE CHANGES TO 059122  | 7/12/2018 | T.N        |
| B         | Changed Water Key Mount | 10/21/19  | J.C.       |



| # | PART NO. | QTY. | DESCRIPTION  |
|---|----------|------|--|
| 3 | 642366   | 45   | 3/16 x 1/4 Grip - Alum-Steel Dome Head Rivet - Open End                |
| 2 | 642002   | 45   | #8 x 3/4" Flanged Phillips Head Tek Screw (For Mounting Only)          |
| 1 | 059122   | 1    | 13+ RAM ProMaster Hi-Roof Door Panel - Rear Full - Driver - Tool Mount |

Rev. -- Weight 25.84 Lbs.



7541 Chapman Ave Unit B  
Garden Grove, Ca 92841

Description 13+ RAM ProMaster HR Door Panel - Rear Full Driver - Tool Mount Asm.

Material Aluminum Item No. 050122

PROPRIETARY AND CONFIDENTIAL THE INFORMATION CONTAINED IN THIS DRAWING IS THE SOLE PROPERTY OF J&M TRUCK BODIES, ANY REPRODUCTION IN PART OR AS A WHOLE WITHOUT THE WRITTEN PERMISSION OF J&M TRUCK BODIES IS PROHIBITED. SIZE Date 10/1/2024

Drawn By. S.Gutierrez SCALE: 1:12

5

4

3

2

1