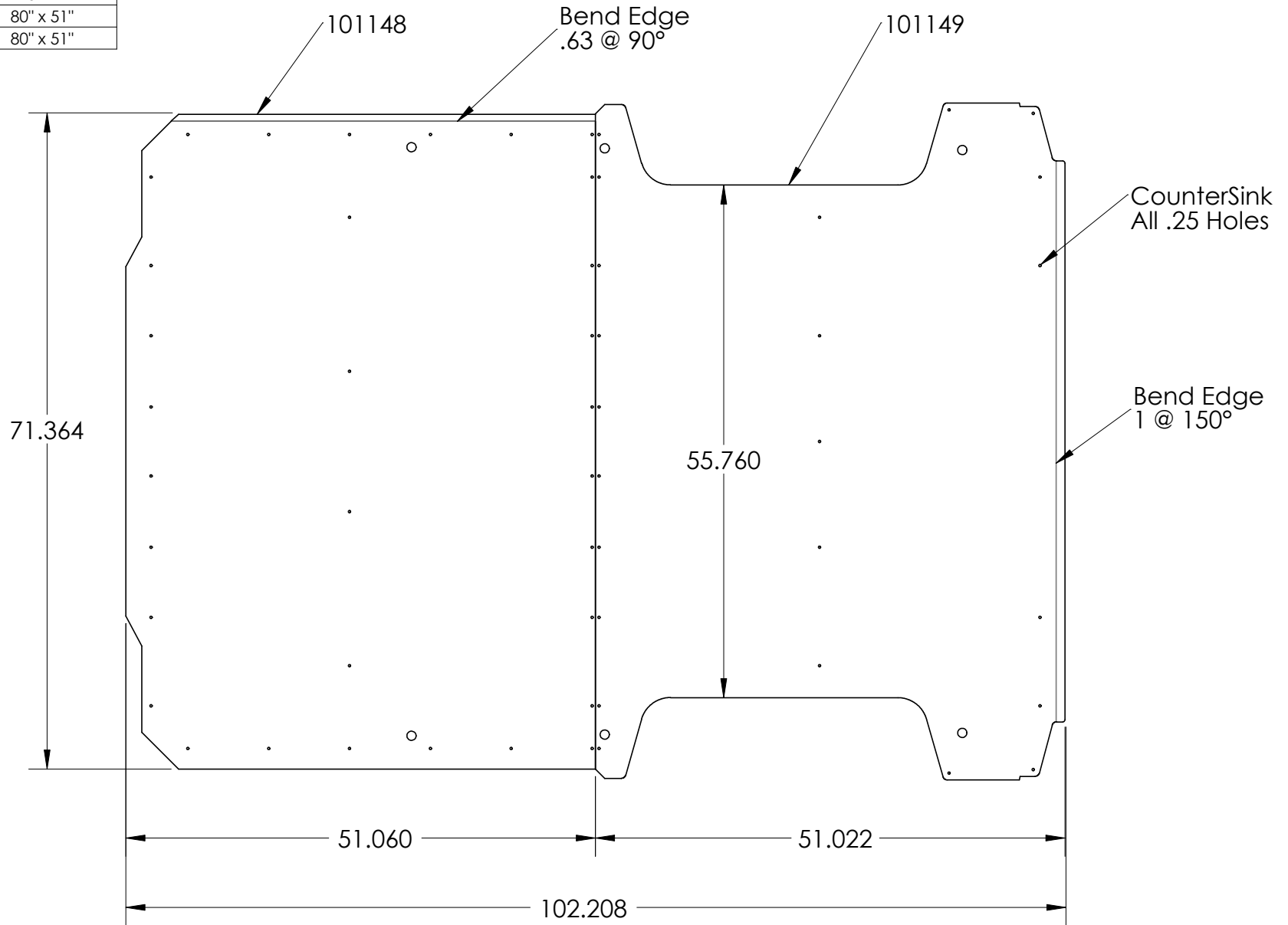


CUT LIST		
#	ITEM NO.	SIZE
1	101148	80" x 51"
2	101149	80" x 51"



5		6	Zinc-plated Steel Unthreaded Spacer 3/4"OD x 3/8"L	.204
4		10	#10 - 1-1/4" Stainless Flat Head Self Drill Screw	.052
3		90	#10 - 3/4" Stainless Flat Head Self Drill Screw	0.355
2	101148	1	13+ RAM ProMaster - 118 WB - Front Panel - ATB	34.53
1	101149	1	13+ RAM ProMaster - 118 WB - Rear Panel - ATB	30.54
#	PART NO.	QTY.	DESCRIPTION	Weight

Rev. Weight  
-- 65.07 Lbs.



7541 Chapman Ave Unit B  
Garden Grove, Ca 92841

Description 13+ RAM ProMaster - 118WB Std. - ATB

Material .100 Tread Brite Alum. Item No. 100044

PROPRIETARY AND CONFIDENTIAL SIZE Date 10/4/2016

THE INFORMATION CONTAINED IN THIS DRAWING IS THE SOLE PROPERTY OF J&M TRUCK BODIES. ANY REPRODUCTION IN PART OR AS A WHOLE WITHOUT THE WRITTEN PERMISSION OF J&M TRUCK BODIES IS PROHIBITED. **A** Drawn By: J. Chauvin SCALE: 1:16

5

4

3

2

1