

# 110061 14+ Ford Transit Mid-Roof - Sliding Headboard - Installation Sheet



## Step 1

- 1) Bolt together the Driver & Passenger Side Panels with the Top & Bottom Mounts. The outer sides must be flush to each other.
- 2) Bolt on the Door Guides, Latch Plate, and Reinforcement Plate as shown.
- 3) Cut the weather stripping into 4" pcs. Stick onto the door guides on the 3 inner surfaces.

111148 - Sliding Door - Top Flashing Mount  
Qty 4 - 1/4" x 5/8" Pan Head Bolt  
Qty 4 - 1/4" Nylock Flange Nut

111013 - Sliding Door Guide - 4"  
Qty 2 - 1/4" x 5/8" Flat Head UnderCut Bolt  
Qty 2 - 1/4" Nylock Flange Nut  
Qty 3 - 4" Weather Stripping

111050 - Sliding Door - Latch Hook Plate  
Qty 2 - #10-24 x 5/8" Pan Head Bolt  
Qty 2 - #10-24 Nylock Flange Nut

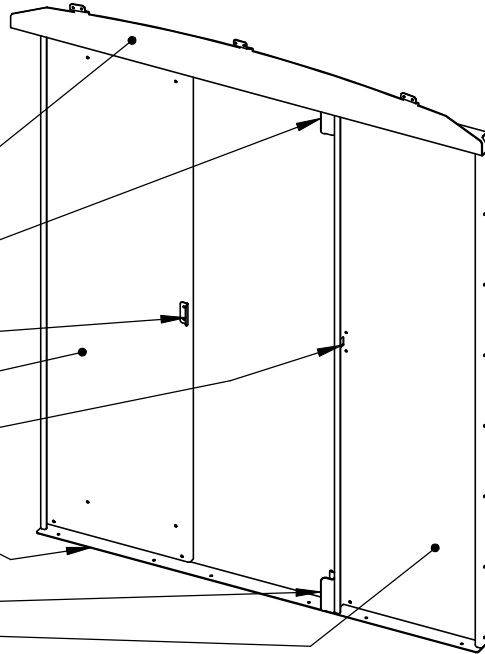
111156 - Passenger-Side Panel

111049 - Reinforcement Plate  
Qty 4 - #10-24 x 5/8" Pan Head Bolt  
Qty 4 - #10-24 Nylock Flange Nut

111149 - Bottom Mount  
Qty 4 - 1/4" x 5/8" Pan Head Bolt  
Qty 4 - 1/4" Nylock Flange Nut

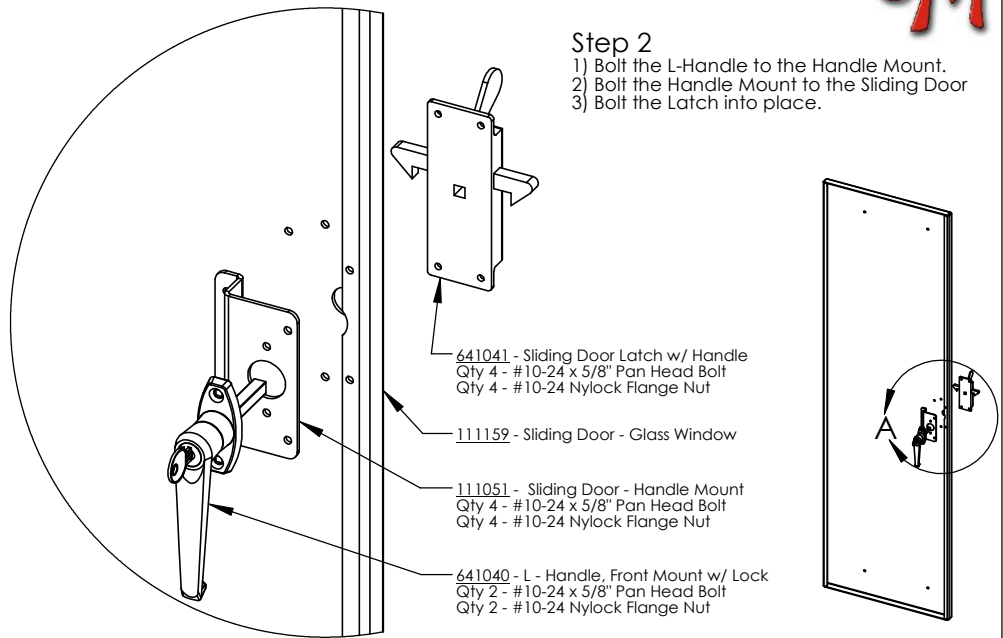
111013 - Sliding Door Guide - 4"  
Qty 2 - 1/4" x 5/8" Flat Head UnderCut Bolt  
Qty 2 - 1/4" Nylock Flange Nut  
Qty 3 - 4" Weather Stripping

111155 - Driver-Side Panel



## Step 2

- 1) Bolt the L-Handle to the Handle Mount.
- 2) Bolt the Handle Mount to the Sliding Door
- 3) Bolt the Latch into place.



641041 - Sliding Door Latch w/ Handle  
Qty 4 - #10-24 x 5/8" Pan Head Bolt  
Qty 4 - #10-24 Nylock Flange Nut

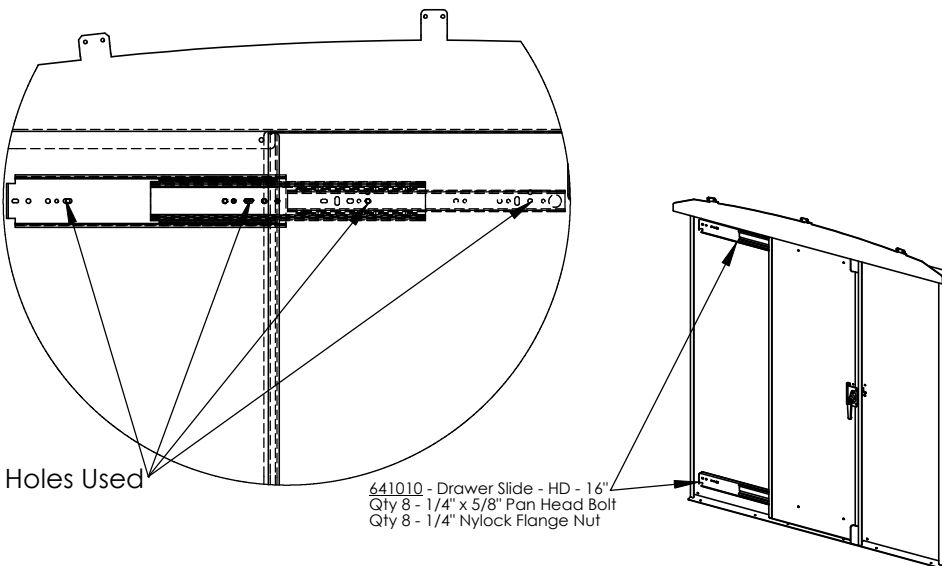
111159 - Sliding Door - Glass Window

111051 - Sliding Door - Handle Mount  
Qty 4 - #10-24 x 5/8" Pan Head Bolt  
Qty 4 - #10-24 Nylock Flange Nut

641040 - L - Handle, Front Mount w/ Lock  
Qty 2 - #10-24 x 5/8" Pan Head Bolt  
Qty 2 - #10-24 Nylock Flange Nut

## Step 3

- 1) Bolt the Sliders onto the Passenger Side Panel using the holes shown below. Lightly tighten the bolts before the next step.
- 2) Place the Door into place and insert all the bolts via the holes shown. Tighten securely. Slide the door in and out to ensure it slides easily and everything is in the correct location.



Holes Used

641010 - Drawer Slide - HD - 16"  
Qty 8 - 1/4" x 5/8" Pan Head Bolt  
Qty 8 - 1/4" Nylock Flange Nut

## Step 4

- 1) Bolt on the Driver & Passenger Side Flashings.
- 2) Place the entire Headboard into the Van.  
The upper tabs of the Top Flashing should touch the body of the van.  
Note: The black foam must be removed or trimmed before the Headboard can fit.
- 3) Place a screw in the top to hold it.
- 4) Make sure the Headboard is vertical and not twisted. Make adjustments as needed.
- 5) Once straight, put in the remaining tek screws.
- 6) Check that all other hardware is properly installed and tightened.
- 7) Peel off the PVC Protective Coating.

111148 - Top Flashing Extension  
Qty 6 - #10 x 1" Hex Tek Screw

111115 - Passenger-Side Flashing  
Qty 8 - 1/4" x 5/8" Pan Head Bolt  
Qty 8 - 1/4" Nylock Flange Nut  
Qty 6 - #10 x 1" Hex Head Tek Screw

111116 - Driver-Side Flashing  
Qty 8 - 1/4" x 5/8" Pan Head Bolt  
Qty 8 - 1/4" Nylock Flange Nut  
Qty 6 - #10 x 1" Hex Head Tek Screw

111149 - Bottom Mount  
Qty 6 - #10 x 1" Hex Head Tek Screw

