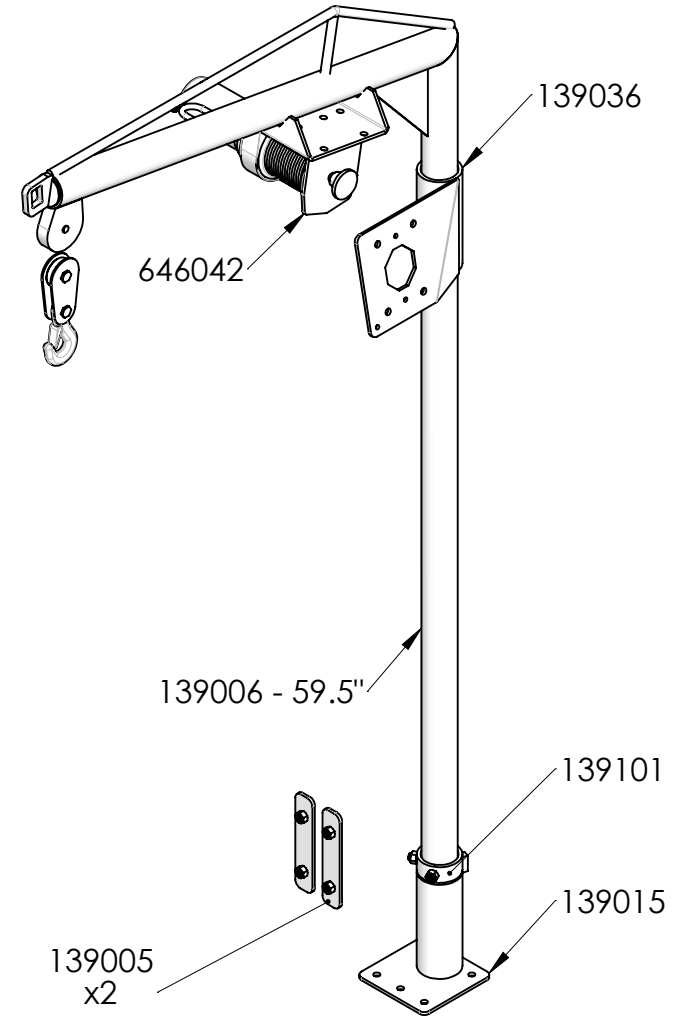


Notes:
 *500lbs. Lifting Capacity
 *Powdercoated Black



16	642430	1	6mm x 1.0 x 20mm Hex Bolt Grade 10.9
15	642454	1	8mm x 1.25 x 40mm Hex Bolt Grade 10.9
14	642277	4	3/8"-16 x 1-1/4" Grade 8 Hex Bolt
13	642205	3	5/16"x1-1/4" Flanged Hex Head Sheet Metal Screw
12	642251	4	3/8" Lock Washer - Zinc
11	642252	4	3/8" Flat Washer - Zinc
10	649154	1	Hoist Electrical Hardware Kit (not shown)
9	646042	1	Winch Motor - Steel Line 12v With Handheld Remote
8	646001	1	Winch Pully Block - Attached to Cable on Motor
7	131045	1	Pulley w/ Axle and Cotter Pin
6	133001	1	Standard Cover Plate - 3.77
5	139101	1	Pivot Tube Stop Asm
4	139005	2	Backing Plate Asm. - 1.25" x 6" - 3.5" Hole Spacing
3	139015	1	Lower Mount Asm. - 5 Hole Base Plate - 5"L x 5"W
2	139036	1	12+ Nissan NV - Upper Mount Asm. - Side HR
1	139006	1	Boom Asm. - 10° x 30" Jib Cut boom to 59.5"
#	PART NO.	QTY.	DESCRIPTION

Rev. Weight
 -- 45.30 Lbs.



7541 Chapman Ave Unit B
 Garden Grove, Ca 92841

Description	12+ Nissan NV - 12V Electric Hoist Kit - Side HR		
Material	Steel	Item No.	130028
PROPRIETARY AND CONFIDENTIAL	SIZE	Date	5/3/2021
THE INFORMATION CONTAINED IN THIS DRAWING IS THE SOLE PROPERTY OF J&M TRUCK BODIES. ANY REPRODUCTION IN PART OR AS A WHOLE WITHOUT THE WRITTEN PERMISSION OF J&M TRUCK BODIES IS PROHIBITED.	A	Drawn By.	S.Gutierrez
		SCALE:	1:18

5

4

3

2

1