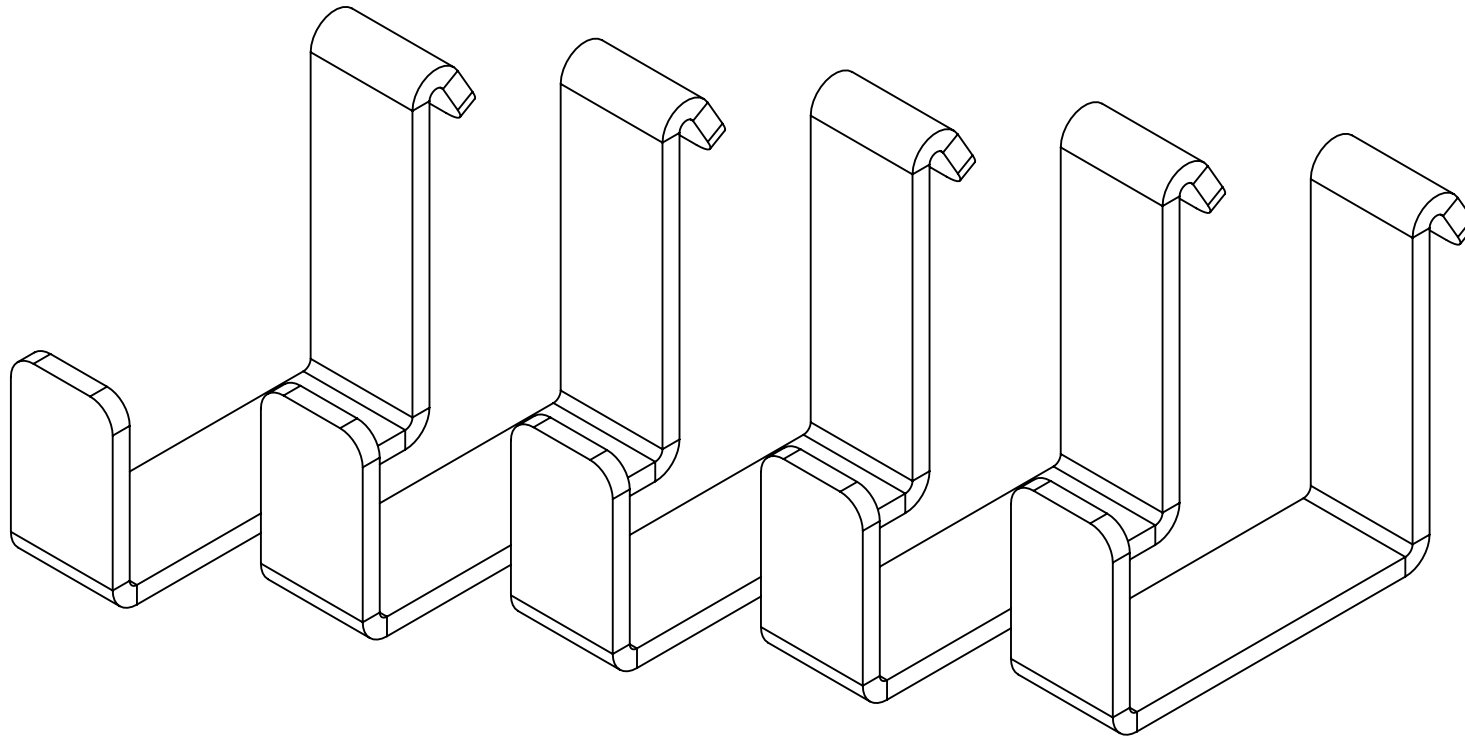


Package in Poly Tube With BOM Sheet



2		-	140003 BOM Sheet
1	141003	5	Slide Hook - 3/4"D x 1"W - 3/16 Opening
#	<b>PART NO.</b>	<b>QTY.</b>	<b>DESCRIPTION</b>

Rev. Weight  
-- 0.93791 Lbs.

  
7541 Chapman Ave Unit B  
Garden Grove, Ca 92841

Description	Slide Hook w/ 3/16" Opening - Alum - 3/4" d x 1"w (Pkg of 5)		
Material	Item No.	140003	
<b>PROPRIETARY AND CONFIDENTIAL</b>	SIZE	Date	12/18/2018
<small>THE INFORMATION CONTAINED IN THIS DRAWING IS THE SOLE PROPERTY OF J&amp;M TRUCK BODIES. ANY REPRODUCTION IN PART OR AS A WHOLE WITHOUT THE WRITTEN PERMISSION OF J&amp;M TRUCK BODIES IS PROHIBITED.</small>	<b>A</b>	Drawn By.	S. Jimenez
		SCALE:	2:3

5

4

3

2

1