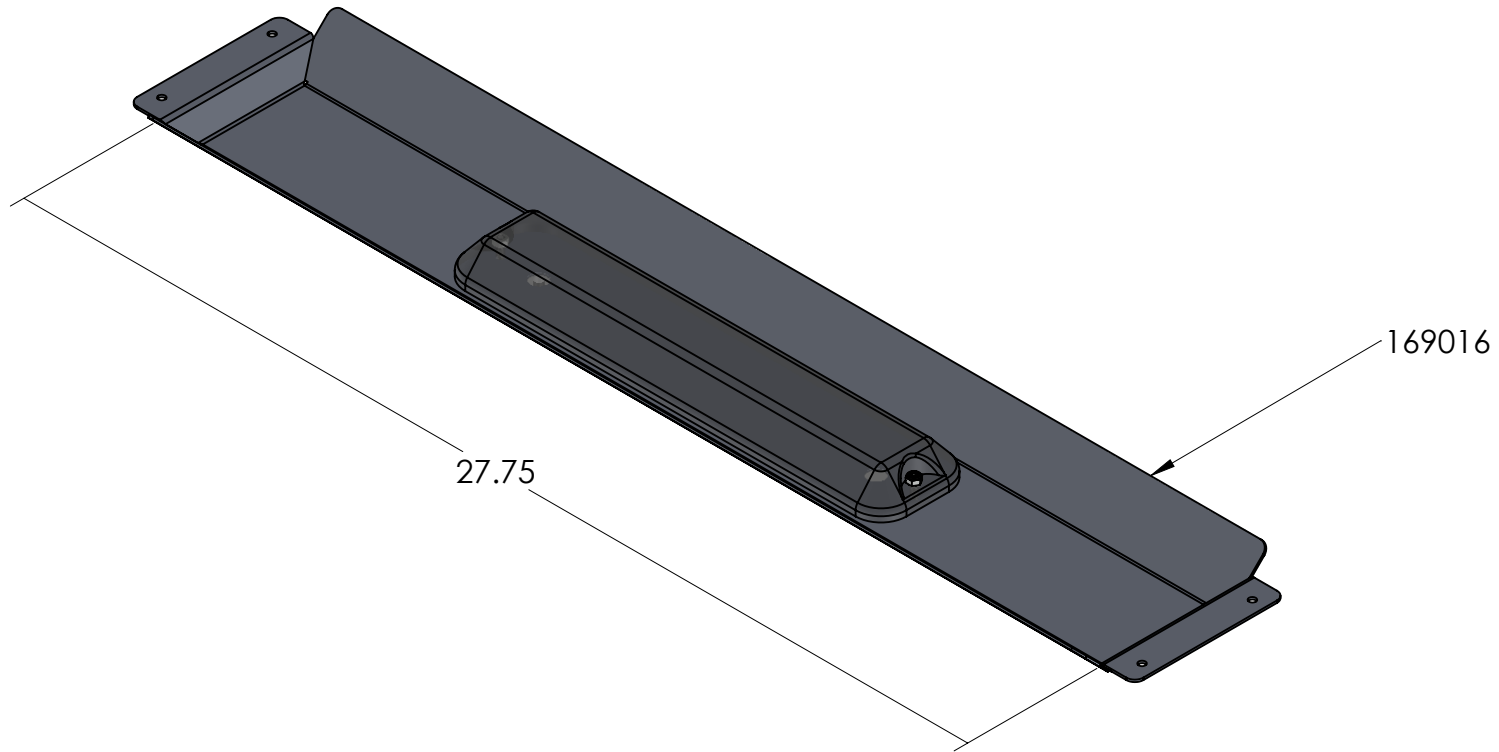
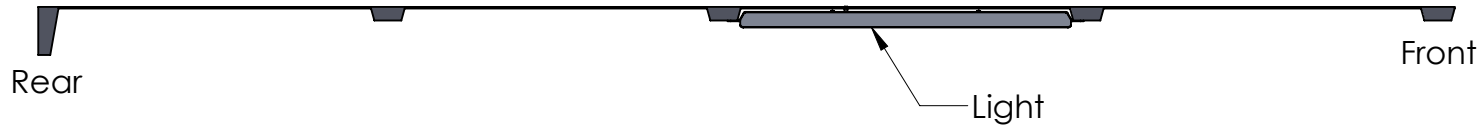


Rib Layout



3	N/A	1	160006_BOM Sheet
2	649251	1	Universal Light Electrical and Hardware Kit
1	169016	1	13+ RAM ProMaster LED Light - 27.75" Rib Asm.
#	PART NO.	160006/QTY.	DESCRIPTION

Rev. -- Weight 2.19919 Lbs.



7541 Chapman Ave Unit B
Garden Grove, Ca 92841

Description	13+ RAM ProMaster Light Kit - 136WB - One 13" LED Light		
Material	White Aluminum	Item No.	160006
<small>PROPRIETARY AND CONFIDENTIAL</small> <small>THE INFORMATION CONTAINED IN THIS DRAWING IS THE SOLE PROPERTY OF J&M TRUCK BODIES. ANY REPRODUCTION IN PART OR AS A WHOLE WITHOUT THE WRITTEN PERMISSION OF J&M TRUCK BODIES IS PROHIBITED.</small>		SIZE	Date
		A	3/29/2021
		Drawn By.	J. Chauvin
		SCALE:	1:4

5

4

3

2

1