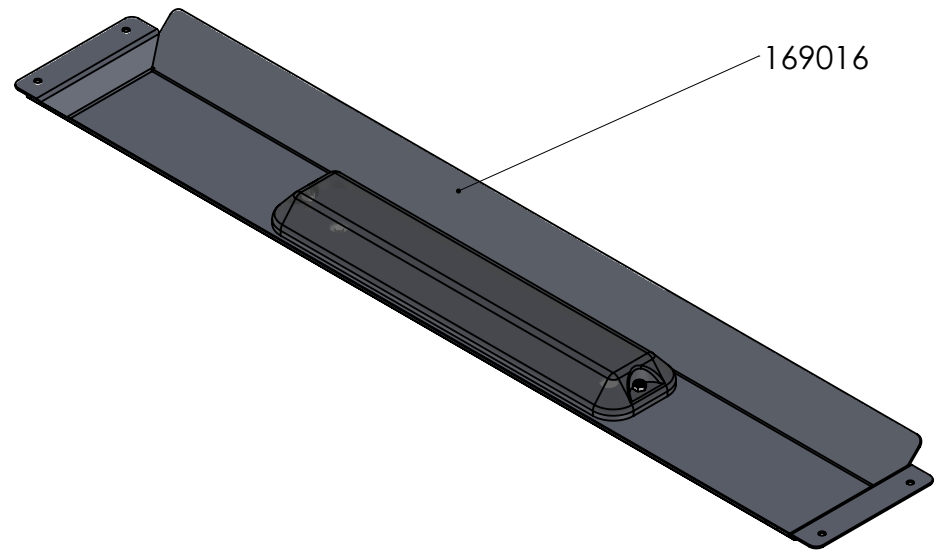
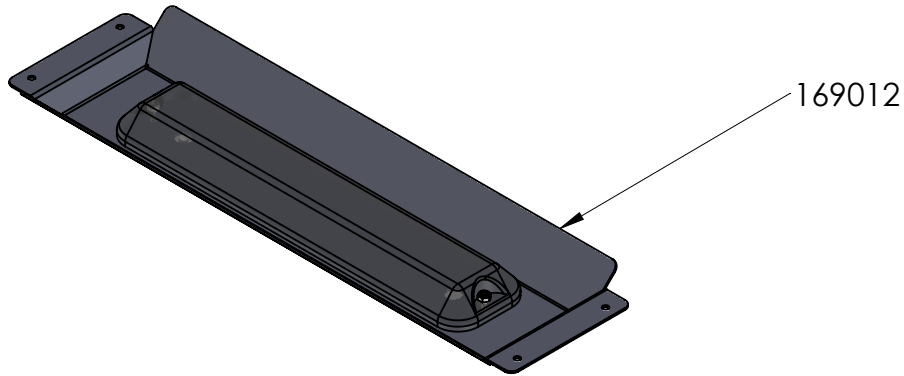
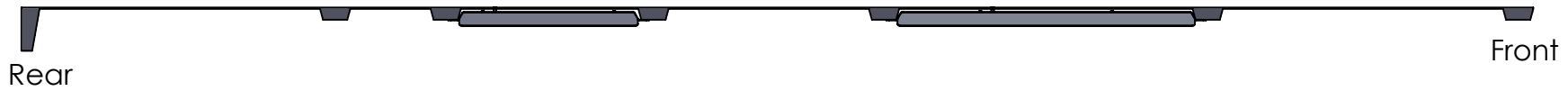


# Rib Layout



4	N/A	1	160007_BOM Sheet
3	649251	1	Universal Light Electrical and Hardware Kit
2	169012	1	13+ RAM ProMaster LED Light - 16.9" Rib Asm.
1	169016	1	13+ RAM ProMaster LED Light - 27.75" Rib Asm.
#	PART NO.	QTY.	DESCRIPTION

Rev.	Weight	Lbs.
--		
 7541 Chapman Ave Unit B Garden Grove, Ca 92841		

Description	13+ RAM ProMaster Light Kit - 159WB - Two 13" LED Lights		
Material	Item No.	160007	
PROPRIETARY AND CONFIDENTIAL <small>THE INFORMATION CONTAINED IN THIS DRAWING IS THE SOLE PROPERTY OF J&amp;M TRUCK BODIES. ANY REPRODUCTION IN PART OR AS A WHOLE WITHOUT THE WRITTEN PERMISSION OF J&amp;M TRUCK BODIES IS PROHIBITED.</small>		SIZE	Date
<b>A</b>		10/24/2019	Drawn By: J. Chauvin
		SCALE: 1:5	

5

4

3

2

1