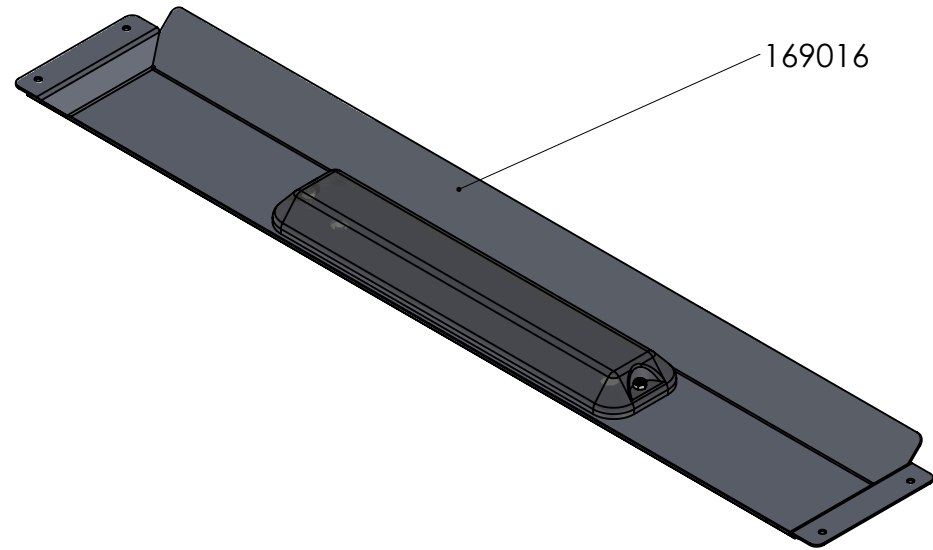
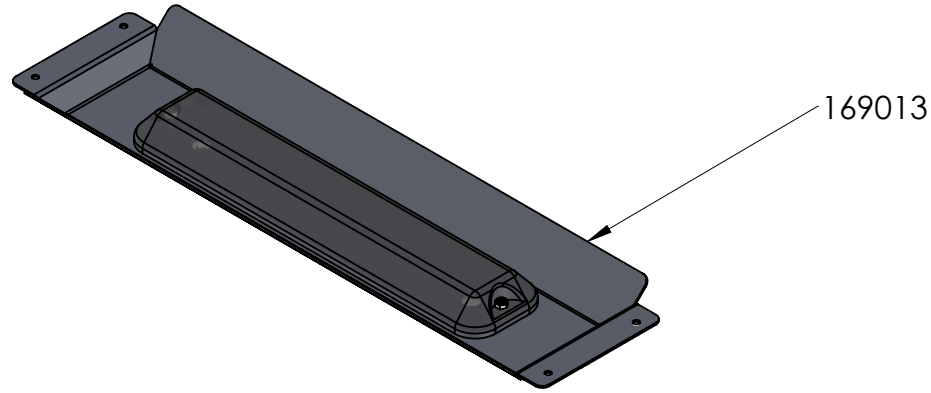


Rib Layout



4	N/A	1	160008_BOM Sheet
3	649251	1	Universal Light Electrical and Hardware Kit
2	169013	1	13+ RAM ProMaster LED Light - 17.9" Rib Asm.
1	169016	1	13+ RAM ProMaster LED Light - 27.75" Rib Asm.
#	PART NO.	QTY.	DESCRIPTION

Rev.	Weight	Lbs.
--		
		
7541 Chapman Ave Unit B Garden Grove, Ca 92841		

Description	13+ RAM ProMaster Light Kit - 159WB Ext - Two 13" LED Lights		
Material		Item No.	160008
PROPRIETARY AND CONFIDENTIAL THE INFORMATION CONTAINED IN THIS DRAWING IS THE SOLE PROPERTY OF J&M TRUCK BODIES. ANY REPRODUCTION IN PART OR AS A WHOLE WITHOUT THE WRITTEN PERMISSION OF J&M TRUCK BODIES IS PROHIBITED.		SIZE	Date
		A	11/8/2019
		Drawn By.	J. Chauvin
		SCALE:	1:5

5

4

3

2

1