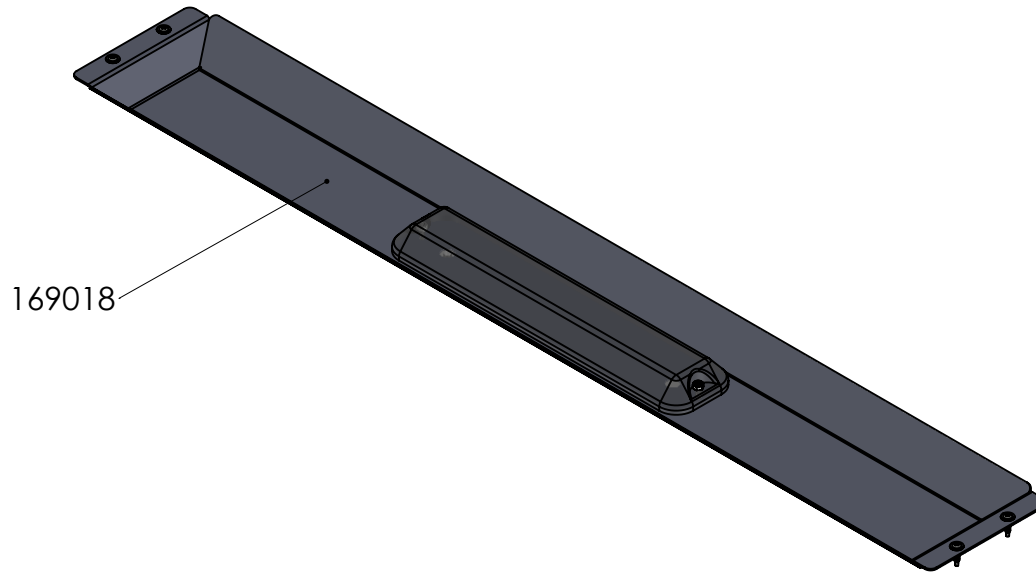
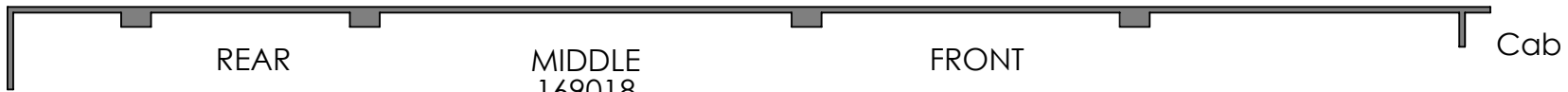


Lights Placement



3	N/A	1	160012_BOM Sheet
2	649251	1	Universal Light Electrical and Hardware Kit
1	169018	1	14+ Ford Transit LED Light Mount Asm. - 148WB - Middle
#	PART NO.	QTY.	DESCRIPTION

Rev.	Weight
--	



7541 Chapman Ave Unit B
Garden Grove, Ca 92841

Description		14+ Ford Transit -148WB - Single LED Light Kit	
Material	Prepainted White Aluminum	Item No.	160012
PROPRIETARY AND CONFIDENTIAL		SIZE	Date
THE INFORMATION CONTAINED IN THIS DRAWING IS THE SOLE PROPERTY OF J&M TRUCK BODIES. ANY REPRODUCTION IN PART OR AS A WHOLE WITHOUT THE WRITTEN PERMISSION OF J&M TRUCK BODIES IS PROHIBITED.		A	3/30/2020
		Drawn By.	
		SCALE:	1:6

5

4

3

2

1