

489022
 - To bodyline
 - 10.5" To taillight edge

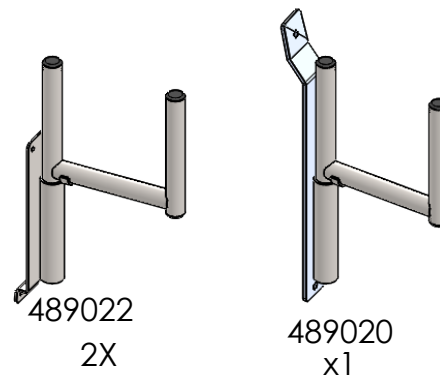
489022
 - To bodyline
 - Center on sliding door

489020
 - To black plastic trim
 - To corner of headlight

A

B

| Wheelbase | A | B | C |
|-----------|------------------|------|------|
| 144 | 84" | 103" | 187" |
| 170 | 117" | 117" | 220" |
| 170 Ext. | 133" | 133" | 236" |
| | Center-to-center | | |



| 7 | | 2 | 3/8" x 2" Alum. Washer |
|---|----------|------|--|
| 6 | | 2 | 5/16-18 Nyloc Flanged Nut, Zinc |
| 5 | | 2 | 5/16-18 x 1" Button-head bolt, SS |
| 4 | | 8 | 1/4-20 Nyloc Flanged Nut, Zinc |
| 3 | | 8 | 1/4-20 x 3/4" Button-head Screw, SS |
| 2 | 489022 | 2 | 07+ Sprinter Swing Hanger & Mount Asm - Middle-Rear |
| 1 | 489020 | 1 | 07+ Sprinter Swing Hanger & Mount Asm - Front Passenger Side |
| # | PART NO. | QTY. | DESCRIPTION |

Rev. Weight
 -- Lbs.



7541 Chapman Ave Unit B
 Garden Grove, Ca 92841

Description 07+ Sprinter 3 Pcs Swinging Hanger Kit - Passenger Side

Material Item No. 480033

PROPRIETARY AND CONFIDENTIAL
 THE INFORMATION CONTAINED IN THIS DRAWING IS THE SOLE PROPERTY OF J&M TRUCK BODIES. ANY REPRODUCTION IN PART OR AS A WHOLE WITHOUT THE WRITTEN PERMISSION OF J&M TRUCK BODIES IS PROHIBITED.

SIZE Date 7/26/2018
 Drawn By. J. Chauvin
 SCALE: 1:16

5

4

3

2

1