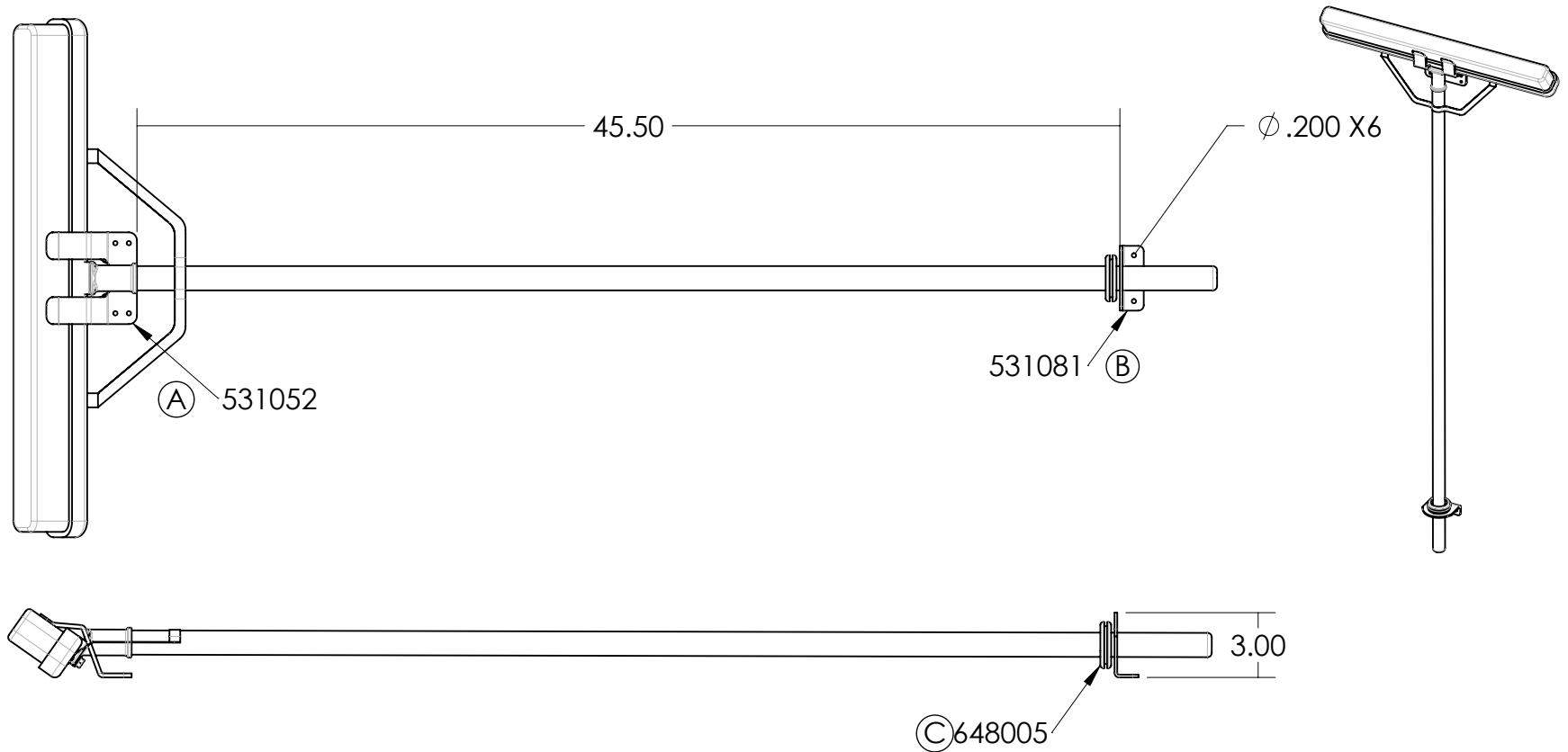


REVISIONS			
REV.	DESCRIPTION	DATE	REVISED BY
A	Replaced 531025 with 531052	7/14/2017	MJC
B	Replaced 531027 with 531081	6/14/2018	TN
C	Added 648005 to BOM	6/15/2018	TN



4	642363	6	3/16 x 1/4 Grip - Alum-Steel Dome Head Rivet - Closed End
3	642002	6	#8 x 3/4" Phillips Washer Head Tek Screw
3	648005	1	Rubber Grommet - 1.75"ID x 2" Hole x 1/8" Sheet
2	531052	1	Universal Tool Upper Mount - Single Brkt
1	531081	1	Lower Handle Mount - 1-3/4" Round
#	<b>PART NO.</b>	<b>QTY.</b>	<b>DESCRIPTION</b>

Rev. Weight  
A 7.17447 Lbs.

  
7541 Chapman Ave Unit B  
Garden Grove, Ca 92841

Description  
Push Broom Mount w/ Universal Upper Mount

Material Alum. Item No. 530015

PROPRIETARY AND CONFIDENTIAL SIZE Date 3/14/2019

THE INFORMATION CONTAINED IN THIS DRAWING IS THE SOLE PROPERTY OF J&M TRUCK BODIES. ANY REPRODUCTION IN PART OR AS A WHOLE WITHOUT THE WRITTEN PERMISSION OF J&M TRUCK BODIES IS PROHIBITED. **A** Drawn By. M. Cecil SCALE: 1:16

5

4

3

2

1