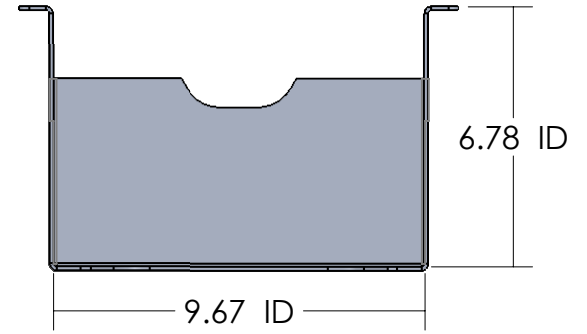
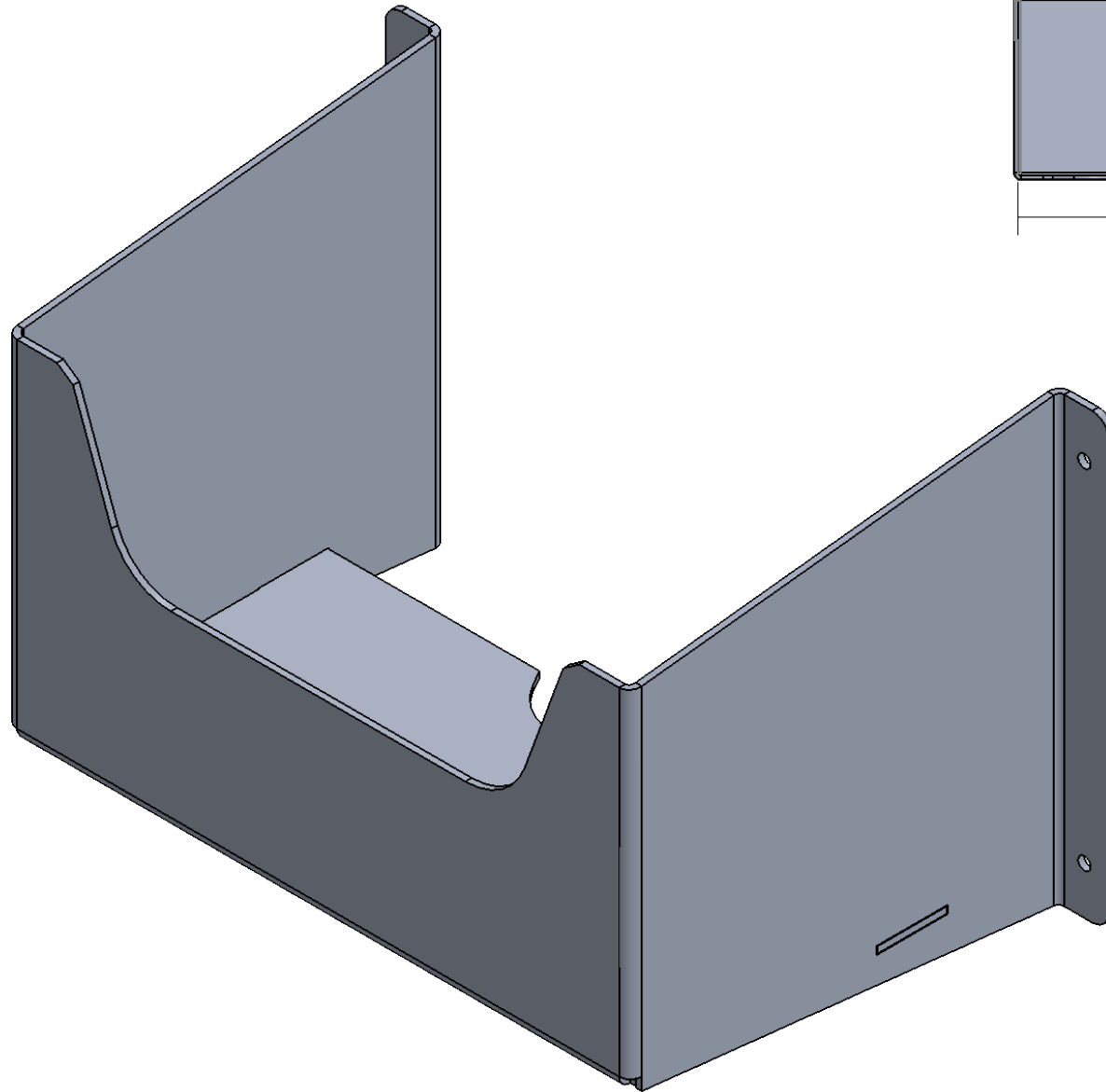


- Fits Husky 32 Bag Box (HK42WC032B)
- Fits Husky 50 Bag Box (HK42WC050B)



#	PART NO.	QTY.	DESCRIPTION
3	642002	4	#8 x 3/4" Phillips Washer Head Tek Screw
2	642366	4	3/16 x 1/4 Grip - Alum-Steel Dome Head Rivet - Open End
1	531110	1	Husky 30 Gal Garbage Bag Holder - 10" x 6" x 7"

5

4

3

Rev.	Weight
A	1.70605 Lbs.



7541 Chapman Ave Unit B
Garden Grove, Ca 92841

2

Description		Item No.	
Husky 30 Gal Garbage Bag Holder - 10" x 6" x 7"		530019	
Material	SIZE	Date	Drawn By.
.100 5052-H32		10/6/2020	J. Chauvin
<small>PROPRIETARY AND CONFIDENTIAL</small> <small>THE INFORMATION CONTAINED IN THIS DRAWING IS THE SOLE PROPERTY OF J&M TRUCK BODIES. ANY REPRODUCTION IN PART OR AS A WHOLE WITHOUT THE WRITTEN PERMISSION OF J&M TRUCK BODIES IS PROHIBITED.</small>		A SCALE: 1:4	

1