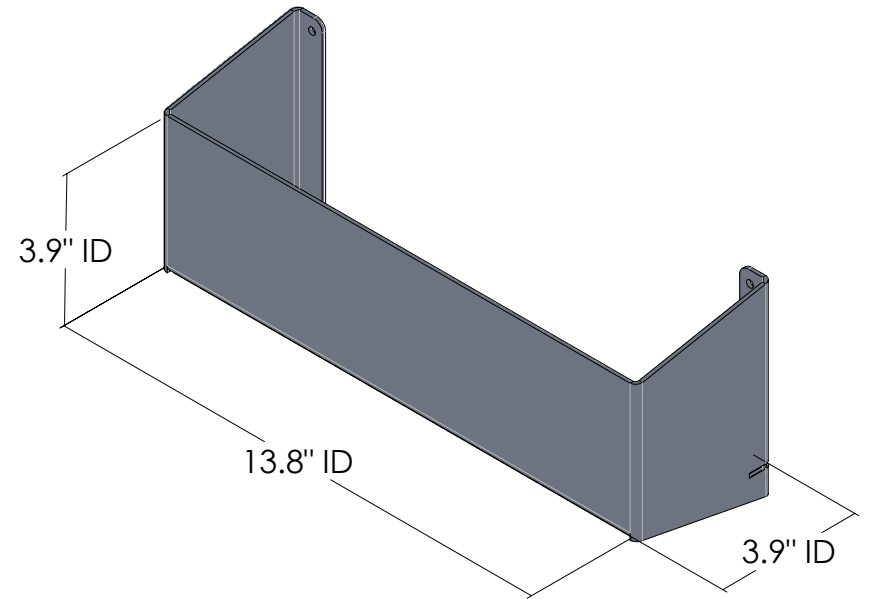


5X ϕ .20
Mounting Holes

Note: Seal In Poly Tubing



3	642002	5	#8 x 3/4" Phillips Washer Head Tek Screw
2	642366	5	3/16 x 1/4 Grip - Alum-Steel Dome Head Rivet - Open End
1	532105	1	Slant-top Tray - 14"w x 4"h x 4"d
#	PART NO.	QTY.	DESCRIPTION

5

4

3

Rev.	Weight
--	1.56 Lbs.
	
7541 Chapman Ave Unit B Garden Grove, Ca 92841	

2

Description	Slant-top Tray - 14"w x 4"h x 4"d		
Material	.100 Alum. 5052-H32	Item No.	530105
PROPRIETARY AND CONFIDENTIAL		SIZE	Date
<small>THE INFORMATION CONTAINED IN THIS DRAWING IS THE SOLE PROPERTY OF J&M TRUCK BODIES. ANY REPRODUCTION IN PART OR AS A WHOLE WITHOUT THE WRITTEN PERMISSION OF J&M TRUCK BODIES IS PROHIBITED.</small>		A	10/7/2020
		Drawn By.	
		SCALE: 1:3	

1