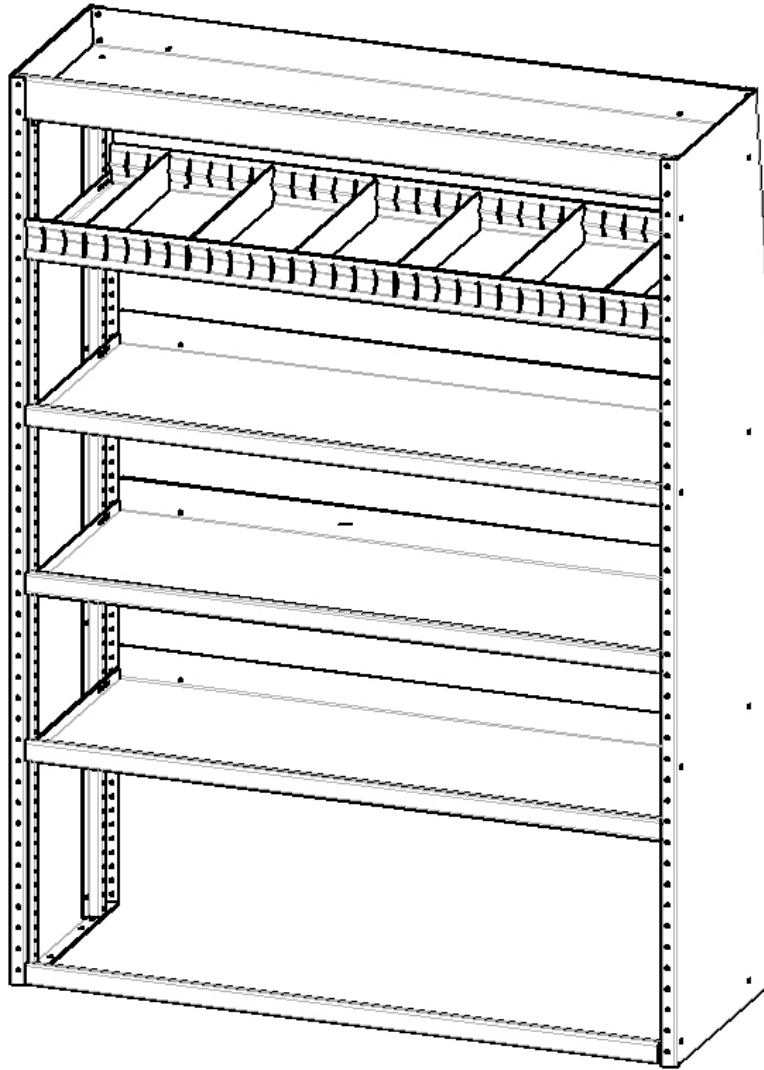

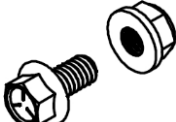

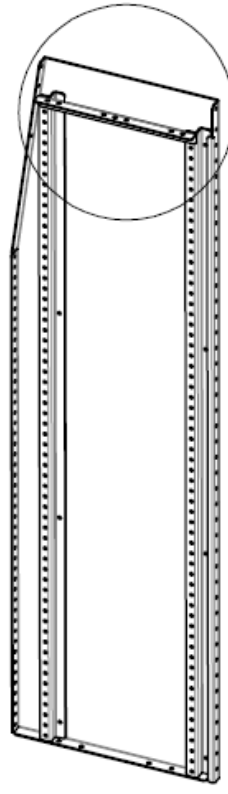
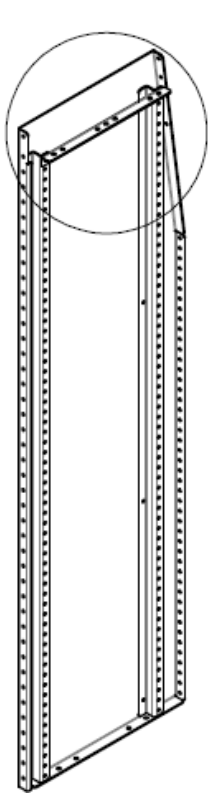
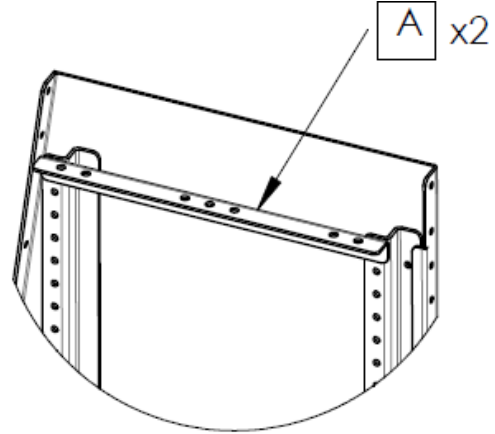
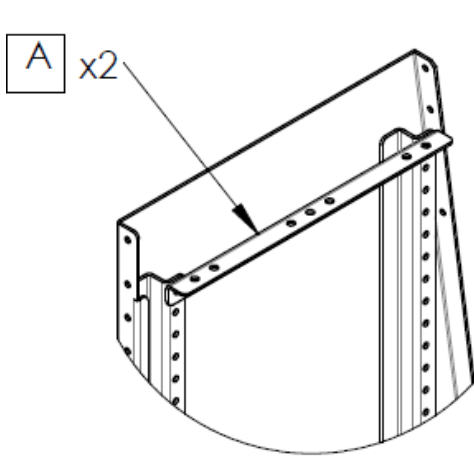


Assembly Guide

Single Section Tapered Shelving
with Standard Top Tray

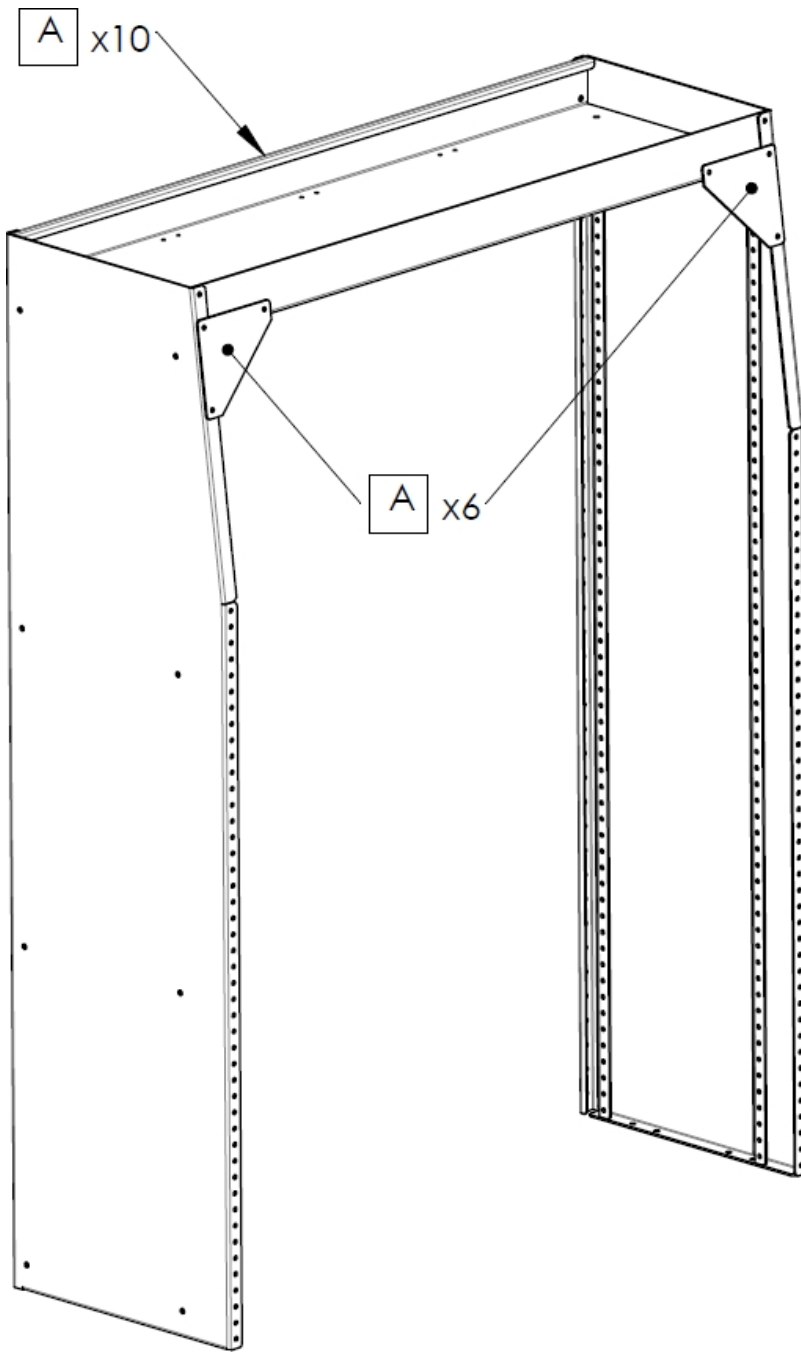


	A ¼-20 x 5/8" Pan Head Bolt		B ¼-20 x 5/8" Hex Head Flanged Bolt		C #10 x 1" Self-drilling Tek Screw
---	---------------------------------------	---	--	--	--



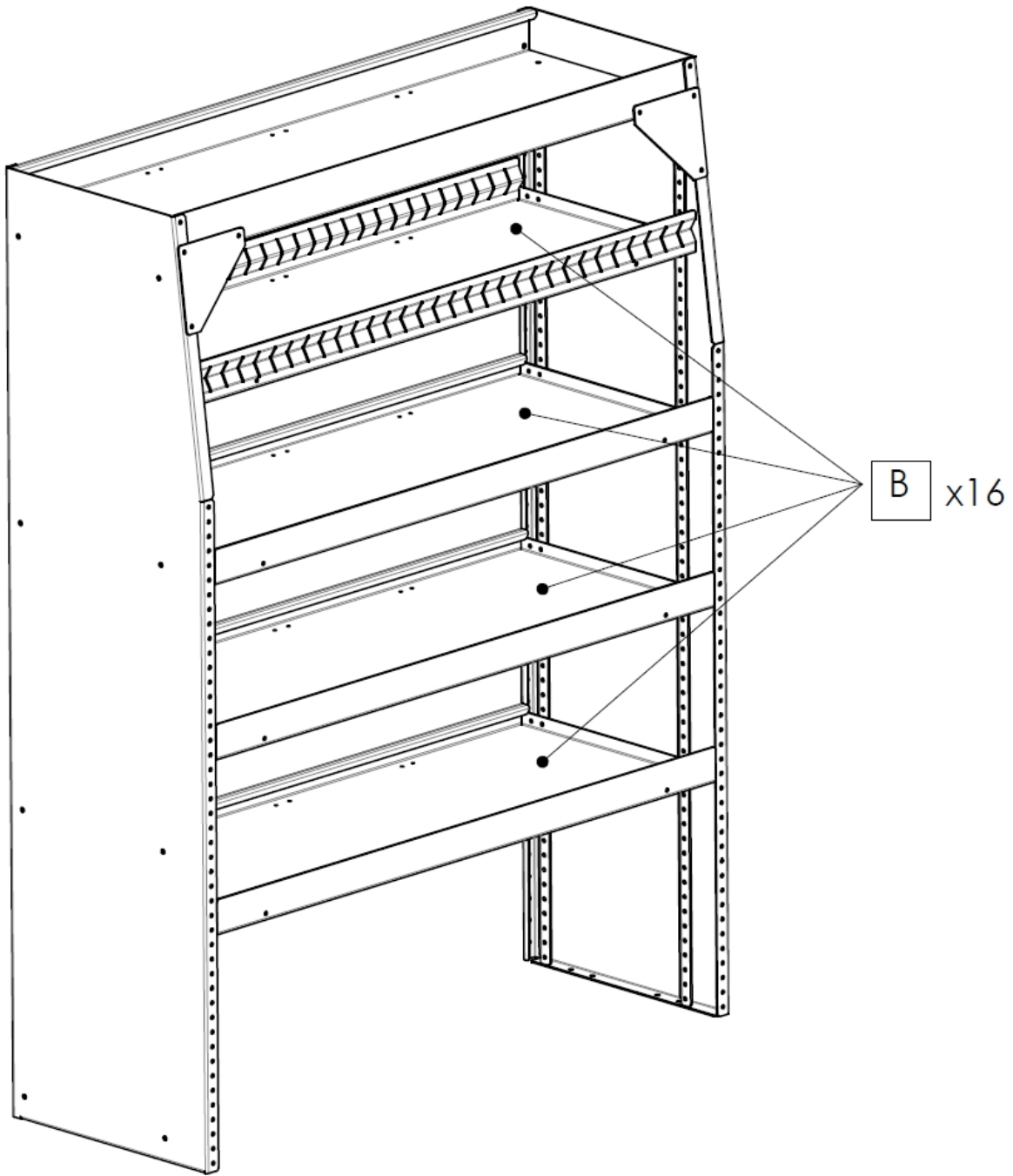
Step 1

- Bolt one L-bracket to each end panel
Note: L-brackets must be flush to the top of the rails



Step 2

- Install the top tray and the angle supports (gussets).

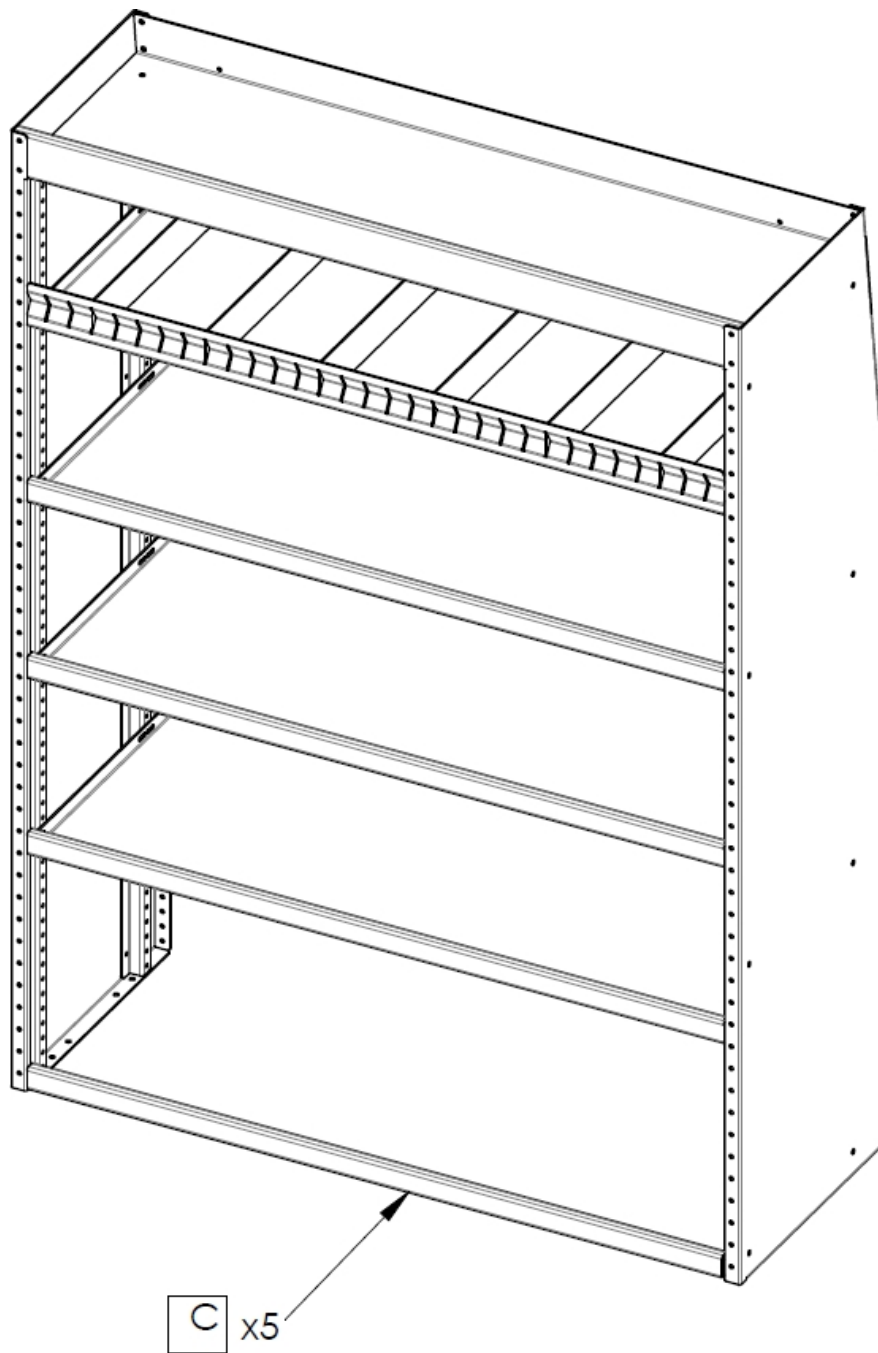


Step 3

- Install the shelves from top to bottom.

Note:

- *This is most easily done with shelving unit face down on a level surface*
- *Slotted holes on each shelf go to the back rail*
- *Measure and mark on the rails the desired shelf heights*
- *The topmost shelf is shallower. Lower shelves are full depth.*
- *Shelves may be mounted upside down or tilted up/down to fit your needs.*



Step 4

- Check all bolts are tight
- Lift the shelving unit into the van and use the provided installation hardware to fasten it to the wall and floor. Follow the install guide.
- Screw the bottom lip to the floor (optional).
- Insert the slotted shelf dividers at desired spacing (if applicable).

Note: Slightly twisting each divider will allow for a tighter and quieter fit