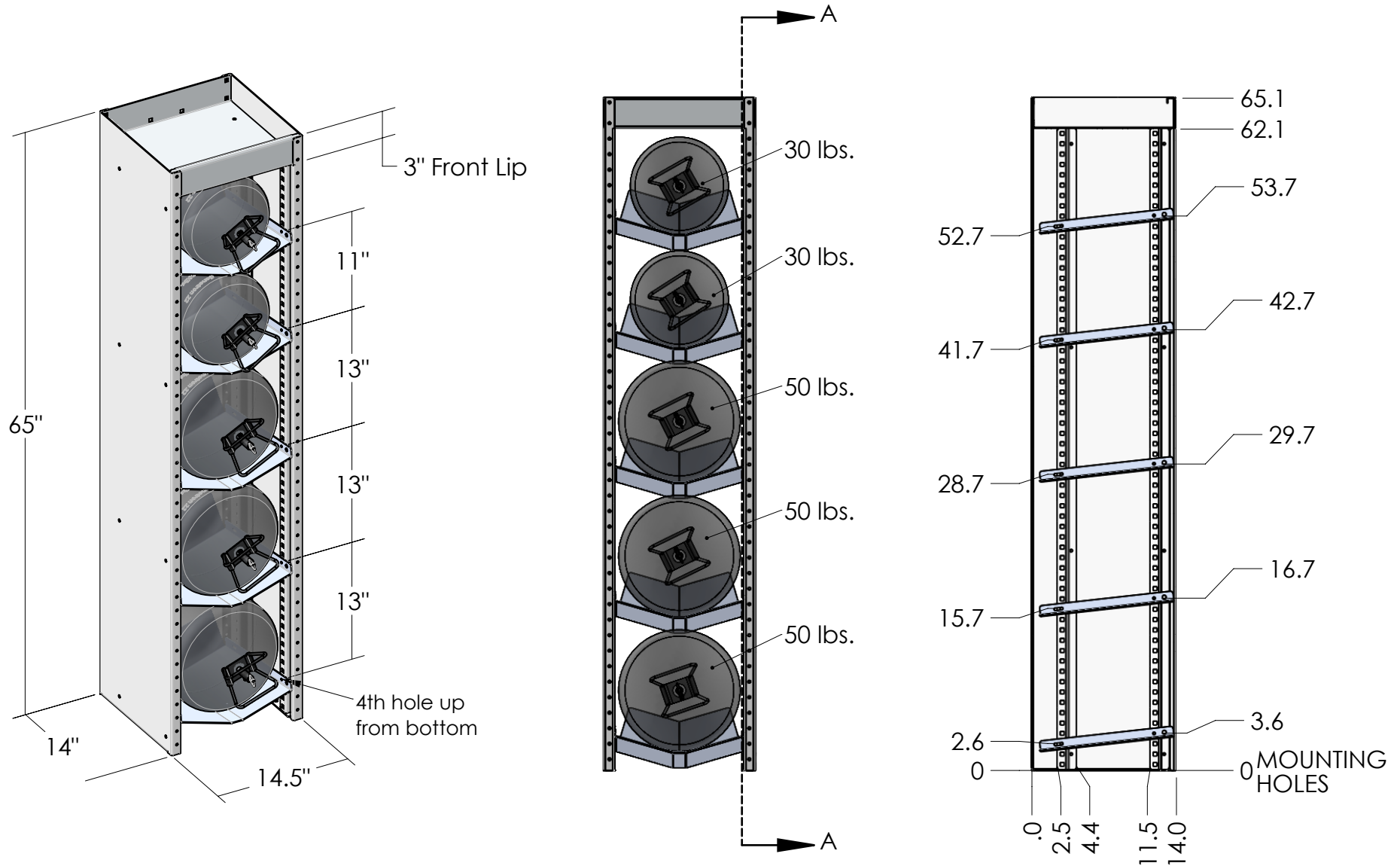



- All shelves adjustable in 1" increment



Description		Freon Tank Tower - 14"D x 65"T x 14.5"W - Asm.	
Rev.	Weight	Material	Item No.
--	241.34525 Lbs.	Aluminum	010101
 7541 Chapman Ave Unit B Garden Grove, Ca 92841		PROPRIETARY AND CONFIDENTIAL	SIZE
		THE INFORMATION CONTAINED IN THIS DRAWING IS THE SOLE PROPERTY OF J&M TRUCK BODIES, ANY REPRODUCTION IN PART OR AS A WHOLE WITHOUT THE WRITTEN PERMISSION OF J&M TRUCK BODIES IS PROHIBITED.	Date
		<b>A</b>	3/11/2021
		Drawn By.	S.Gutierrez
		SCALE:	1:14