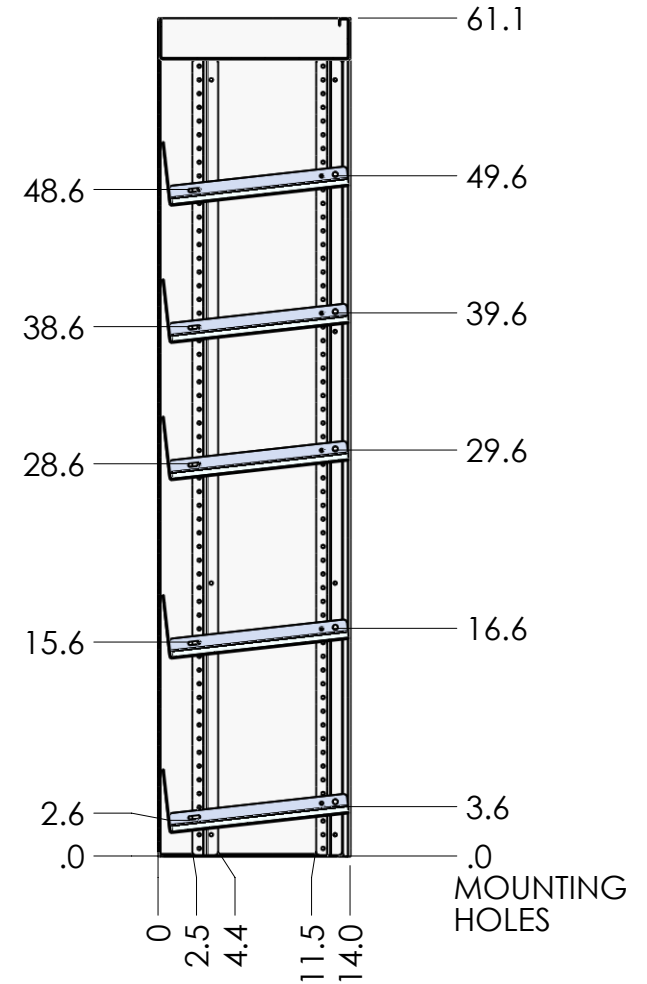
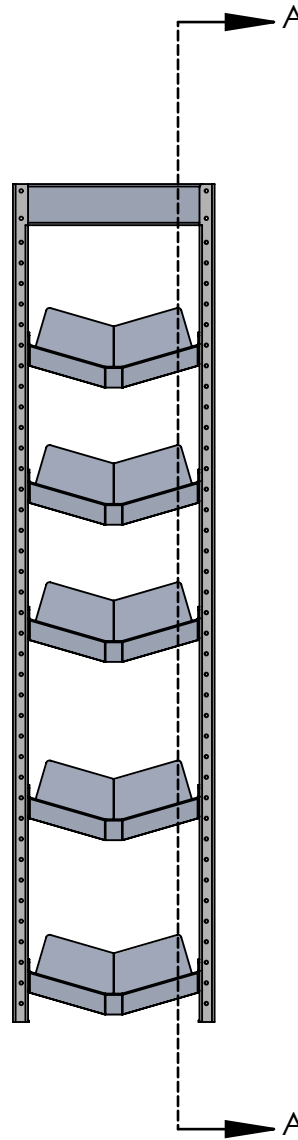
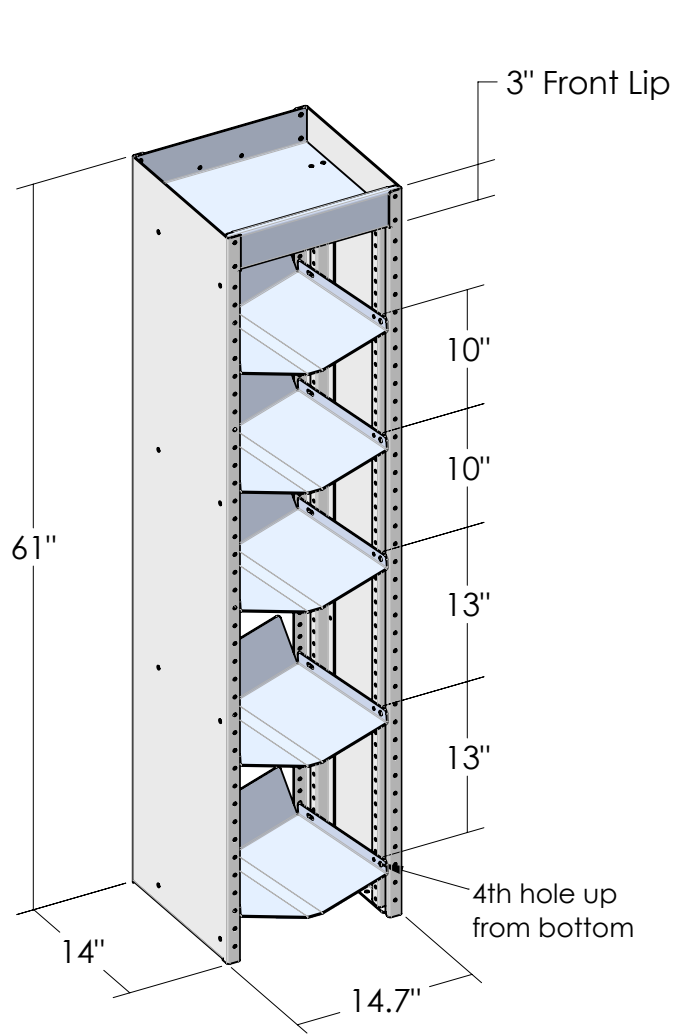


- All shelves adjustable in 1" increment



Rev.		Weight		Description	
--		41.10585 Lbs.		Freon Tank Tower - 14"D x 61"T x 14.5"W - Holds 50# (x1), 30# (x4)	
		Material		Item No.	
		5052 Smooth Alum.		010103	
		PROPRIETARY AND CONFIDENTIAL		SIZE	Date
		THE INFORMATION CONTAINED IN THIS DRAWING IS THE SOLE PROPERTY OF J&M TRUCK BODIES, ANY REPRODUCTION IN PART OR AS A WHOLE WITHOUT THE WRITTEN PERMISSION OF J&M TRUCK BODIES IS PROHIBITED.		A	10/21/2019
		7541 Chapman Ave Unit B Garden Grove, Ca 92841		Drawn By: J. Chauvin	
				SCALE: 1:14	