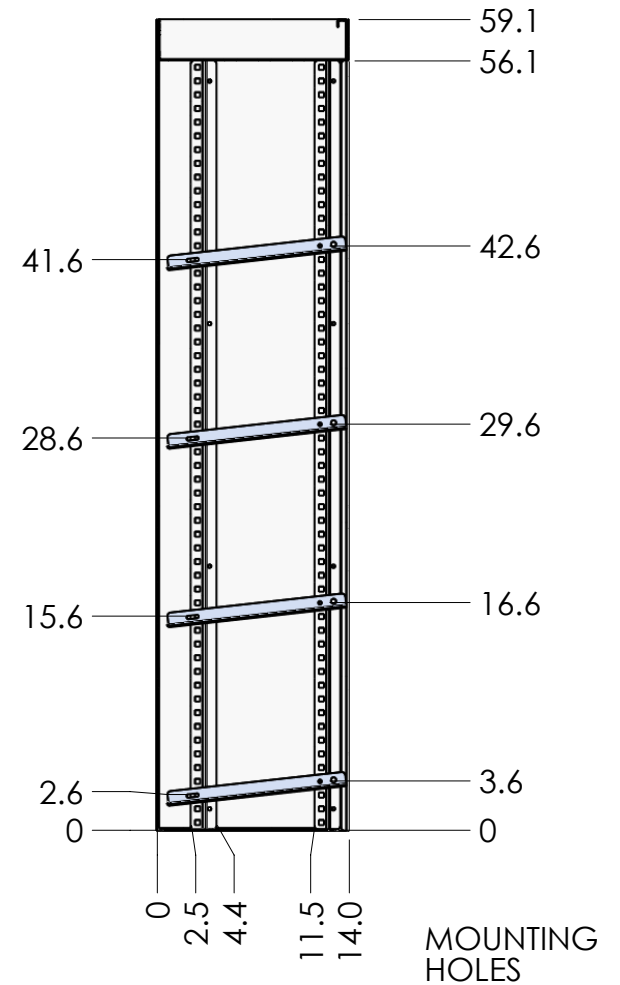
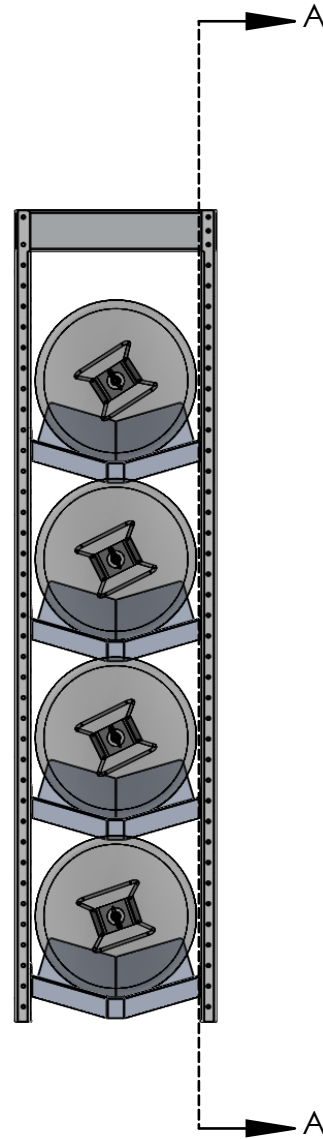
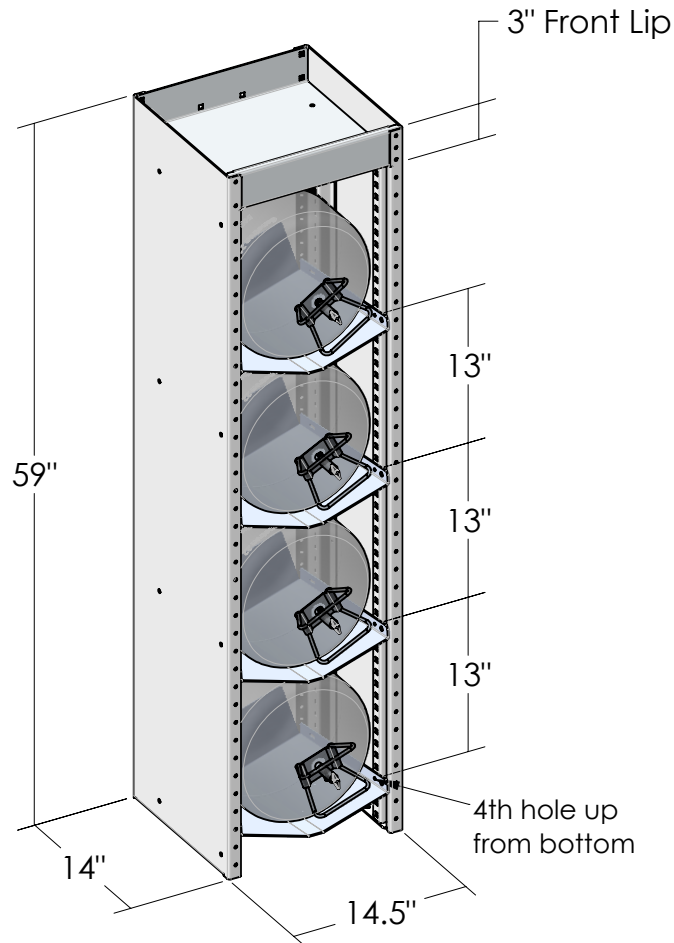


- All shelves adjustable in 1" increment



Rev.	Weight
--	221.84678 Lbs.



7541 Chapman Ave Unit B
Garden Grove, Ca 92841

Description		Freon Tank Tower - 14"D x 59"T x 14.5"W - Holds 50# (x4)	
Material	Aluminum	Item No.	010104
THE INFORMATION CONTAINED IN THIS DRAWING IS THE SOLE PROPERTY OF J&M TRUCK BODIES. ANY REPRODUCTION IN PART OR AS A WHOLE WITHOUT THE WRITTEN PERMISSION OF J&M TRUCK BODIES IS PROHIBITED.		SIZE	Date
		3/11/2021	Drawn By. S.Gutierrez
		SCALE: 1:14	