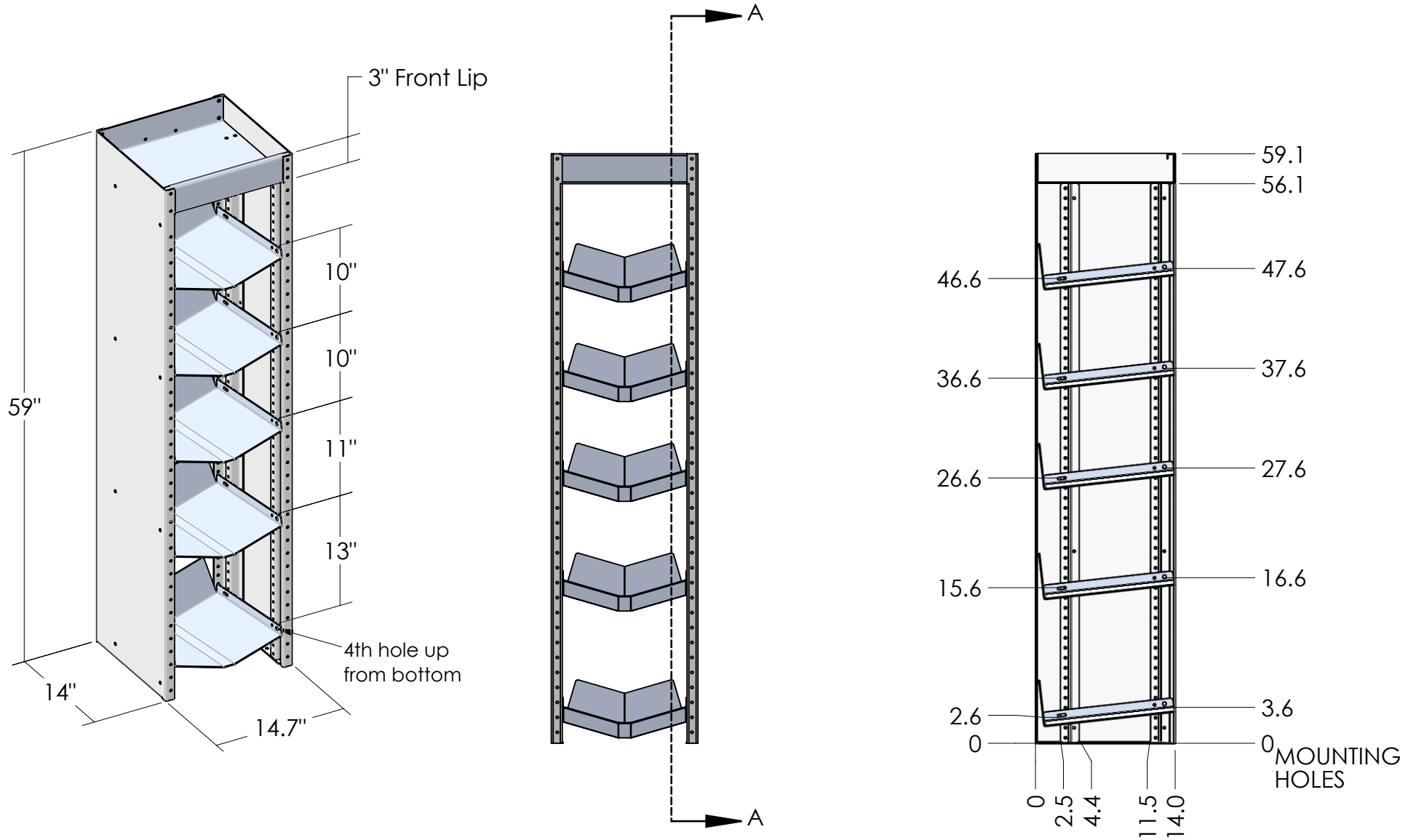
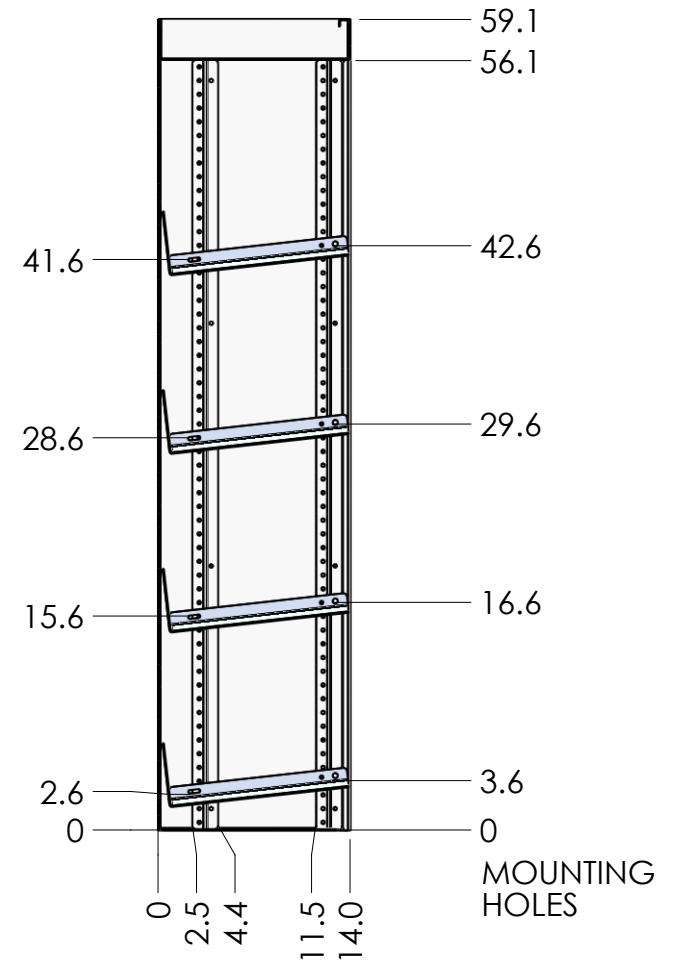
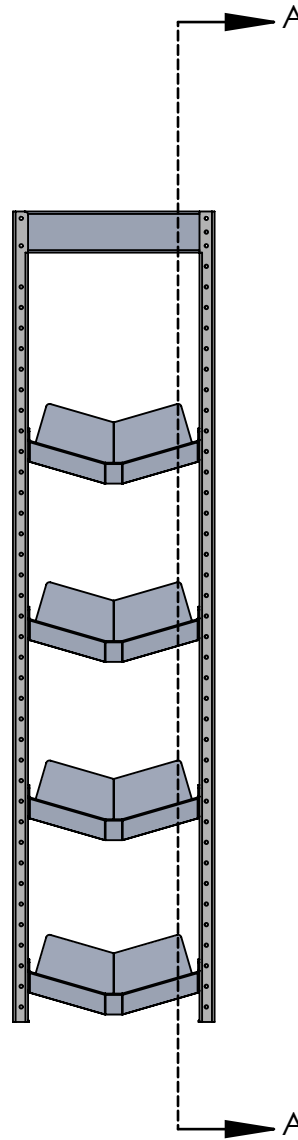
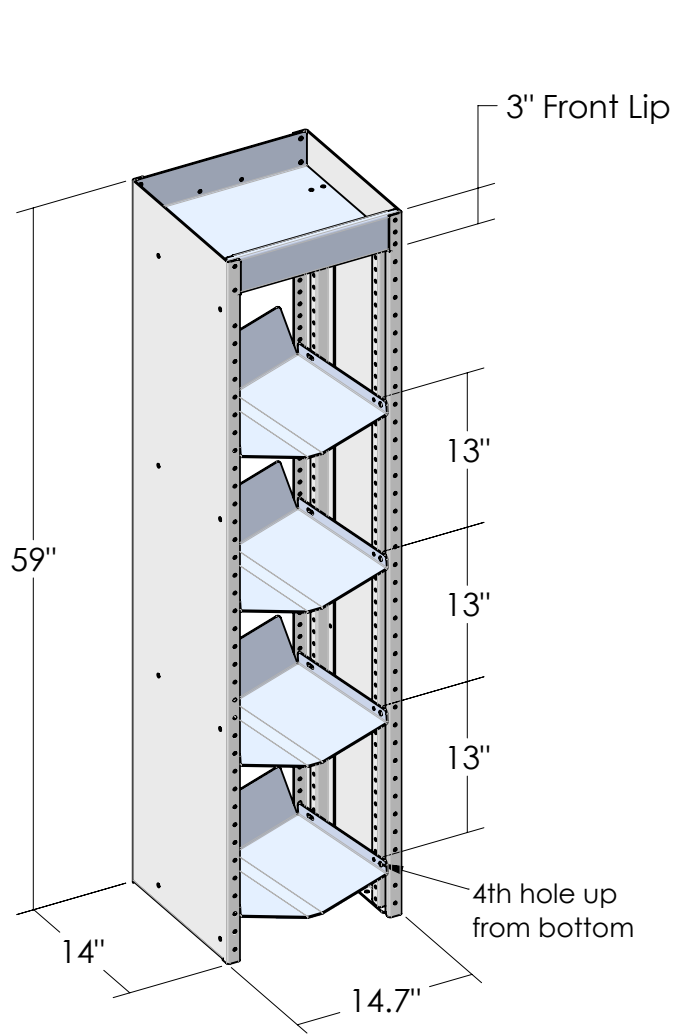


- All shelves adjustable in 1" increment



Rev. --		Weight 40.22834 Lbs.	Description Freon Tank Tower - 14"D x 59"T x 14.5"W - Holds 50# (x1), 30# (x4)
Material 5052 Smooth Alum.		Item No. 010104	
<p>PROPRIETARY AND CONFIDENTIAL</p> <p>THE INFORMATION CONTAINED IN THIS DRAWING IS THE SOLE PROPERTY OF J&M TRUCK BODIES, ANY REPRODUCTION IN PART OR AS A WHOLE WITHOUT THE WRITTEN PERMISSION OF J&M TRUCK BODIES IS PROHIBITED.</p>		<p>SIZE Date 10/21/2019</p> <p>Drawn By. J. Chauvin</p> <p>SCALE: 1:14</p>	

- All shelves adjustable in 1" increment



Rev.		Weight		Description	
--		37.89801 Lbs.		Freon Tank Tower - 14"D x 59"T x 14.5"W - Holds 50# (x4)	
		Material		Item No.	
		5052 Smooth Alum.		010104	
		SIZE		Date	
		A		10/21/2019	
		Drawn By.		J. Chauvin	
		SCALE: 1:14			



7541 Chapman Ave Unit B
Garden Grove, Ca 92841

THE INFORMATION CONTAINED IN THIS DRAWING IS THE SOLE PROPERTY OF J&M TRUCK BODIES. ANY REPRODUCTION IN PART OR AS A WHOLE WITHOUT THE WRITTEN PERMISSION OF J&M TRUCK BODIES IS PROHIBITED.