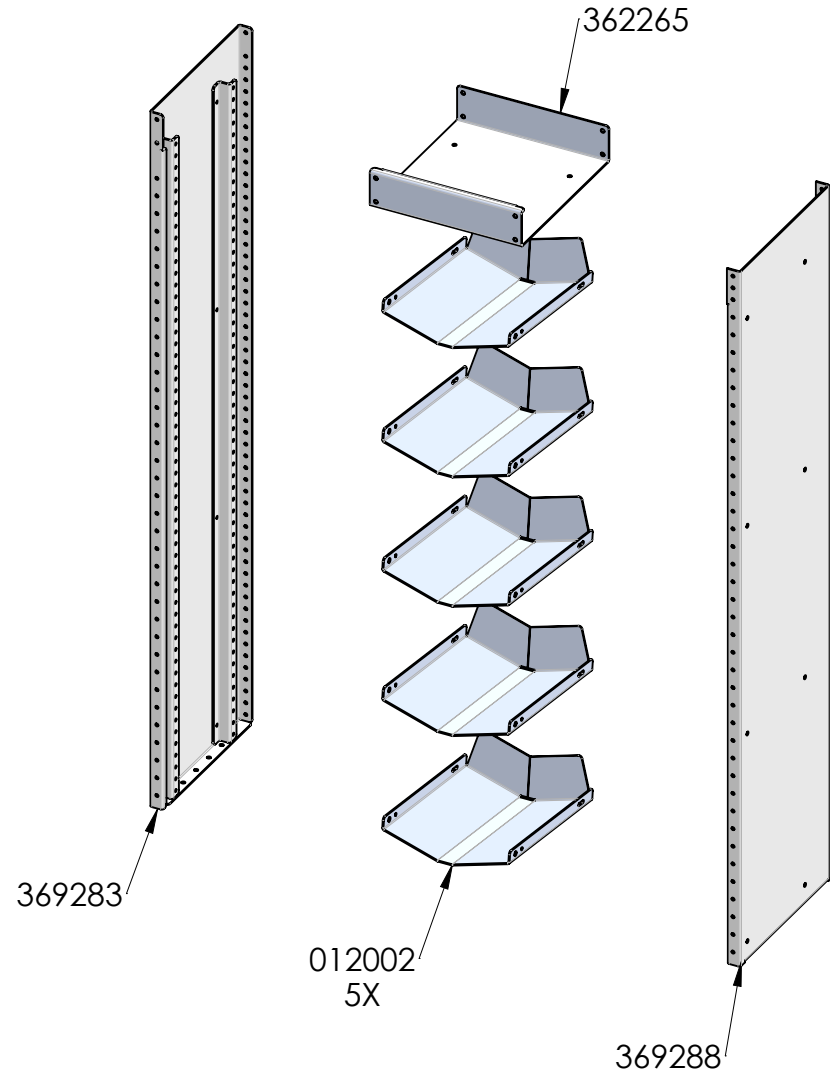
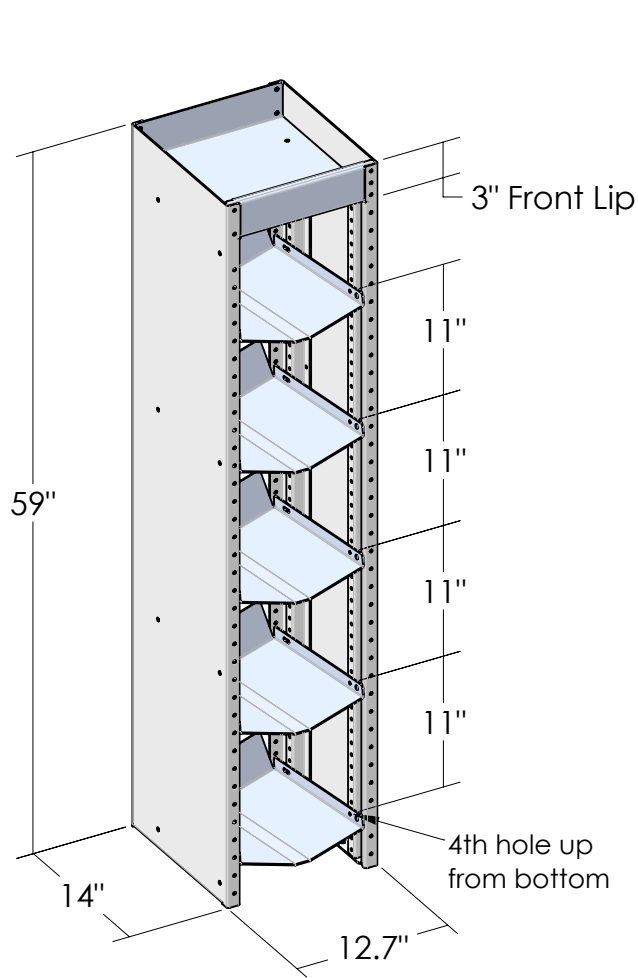


- All shelves adjustable in 1" increment



7	630102	1	Freon Tower Installation Sheet
6	647031	5	Bungee Cords
5	649202	1	Bottle Holder Tower Hardware Kit
4	362265	1	Cube Top Tray Std. 3" Lip 14"D - 12.5"L
3	012002	5	Bottle Holder Tower - Shelf 10.5"W x 13"D
2	369288	1	Cube End Panel 14" - 59" Std Tray RH Asm.
1	369283	1	Cube End Panel 14" - 59" Std Tray LH Asm.
#	PART NO.	QTY.	DESCRIPTION

5

4

3

2

1

Rev. Weight

--



7541 Chapman Ave Unit B
Garden Grove, Ca 92841

Description Freon Tank Tower - 14"D x 59"T x 12.5"W
- Holds 30# (x5)

Material 5052 Smooth Alum.

Item No. 010105

PROPRIETARY AND CONFIDENTIAL
THE INFORMATION CONTAINED IN THIS
DRAWING IS THE SOLE PROPERTY OF
J&M TRUCK BODIES. ANY
REPRODUCTION IN PART OR AS A WHOLE
WITHOUT THE WRITTEN PERMISSION OF
J&M TRUCK BODIES IS PROHIBITED.

SIZE Date 10/21/2019

Drawn By. J. Chauvin
SCALE: 1:14