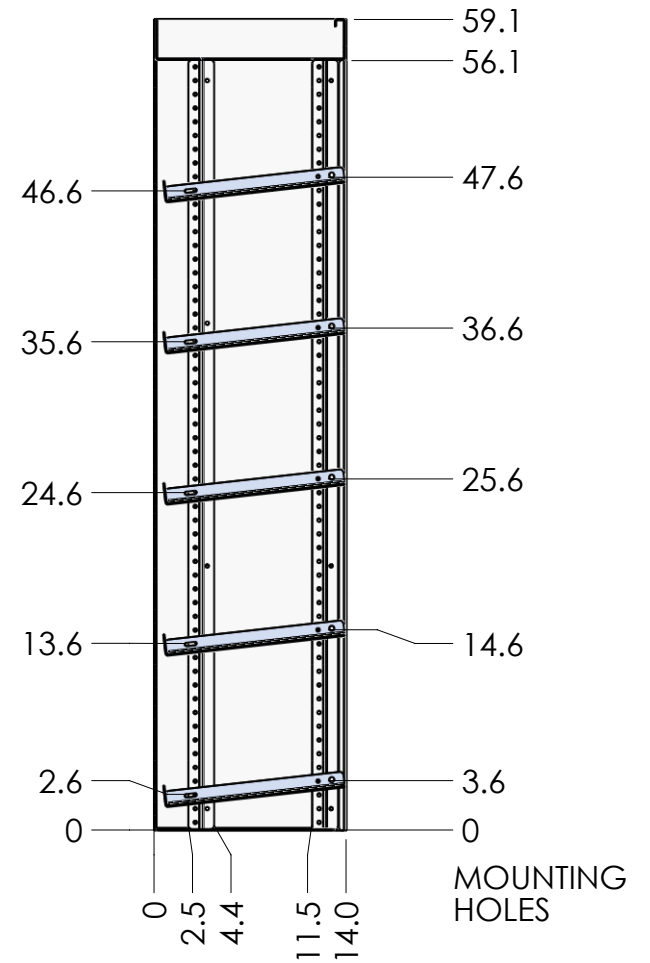
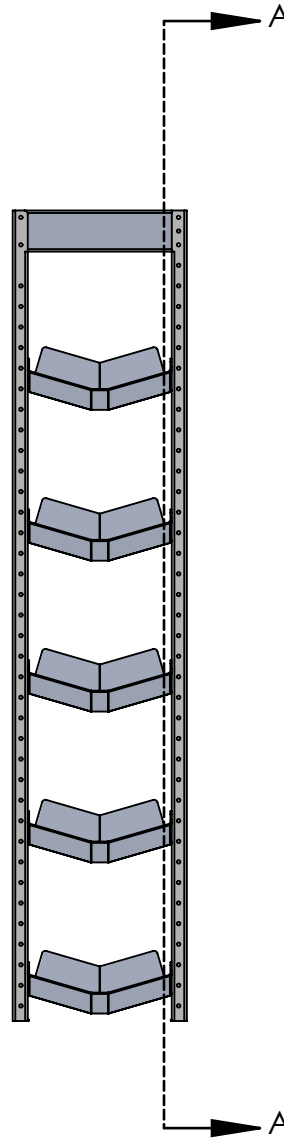
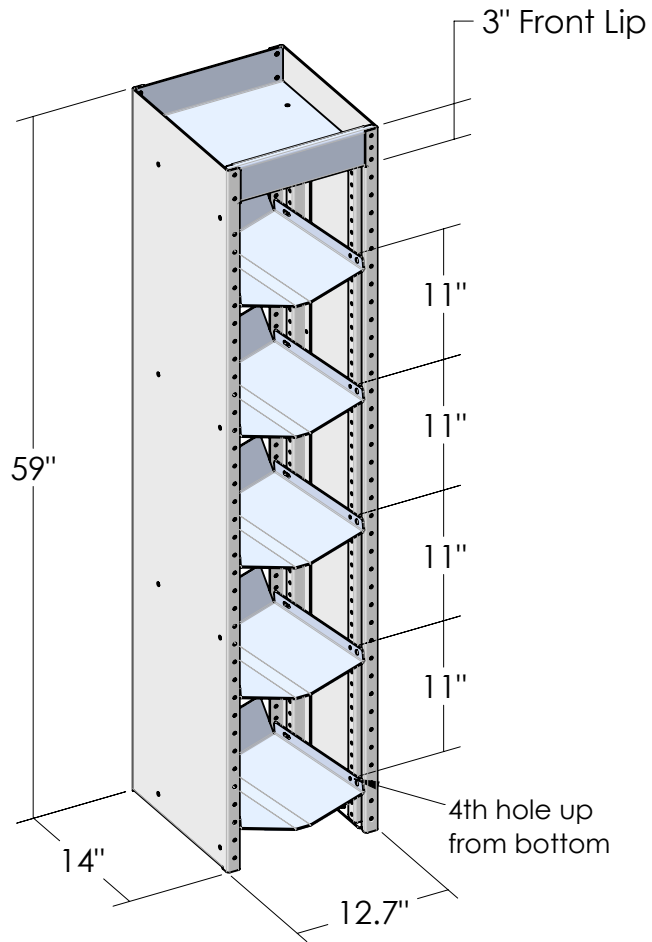


- All shelves adjustable in 1" increment



Description Freon Tank Tower - 14"D x 59"T x 12.5"W - Holds 30# (x5)

Rev. -- Weight 37.67839 Lbs.

Material 5052 Smooth Alum. Item No. 010105

7541 Chapman Ave Unit B Garden Grove, Ca 92841

PROPRIETARY AND CONFIDENTIAL SIZE Date 10/21/2019

THE INFORMATION CONTAINED IN THIS DRAWING IS THE SOLE PROPERTY OF J&M TRUCK BODIES, ANY REPRODUCTION IN PART OR AS A WHOLE WITHOUT THE WRITTEN PERMISSION OF J&M TRUCK BODIES IS PROHIBITED. A Drawn By. J. Chauvin SCALE: 1:14