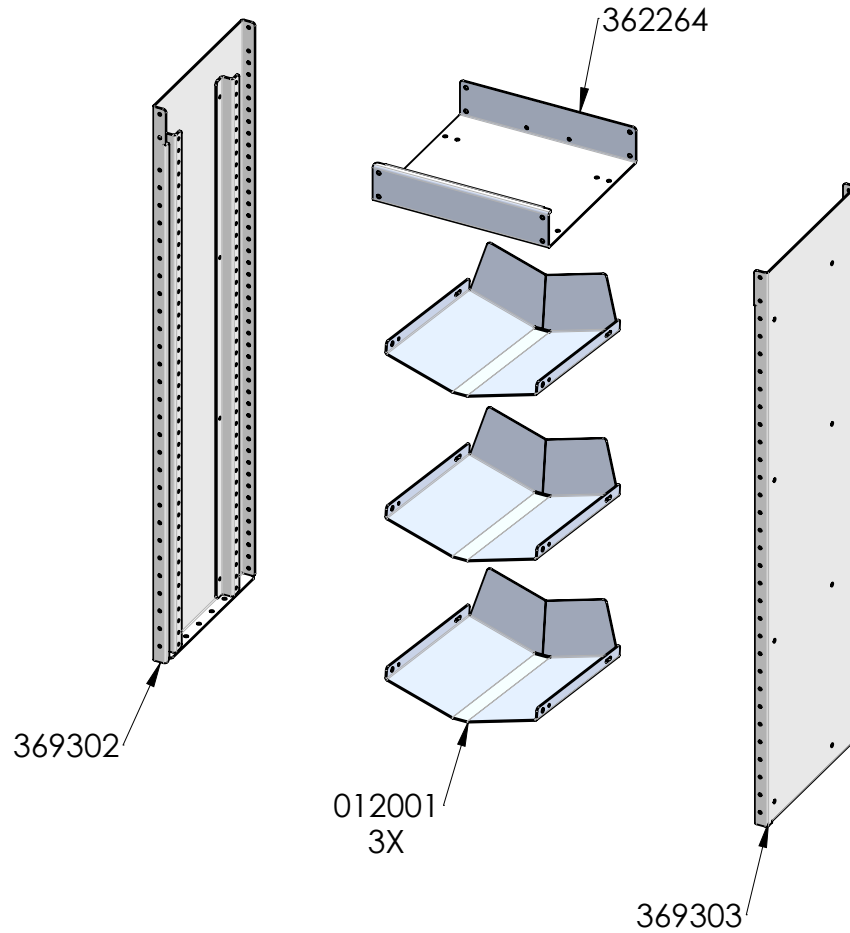
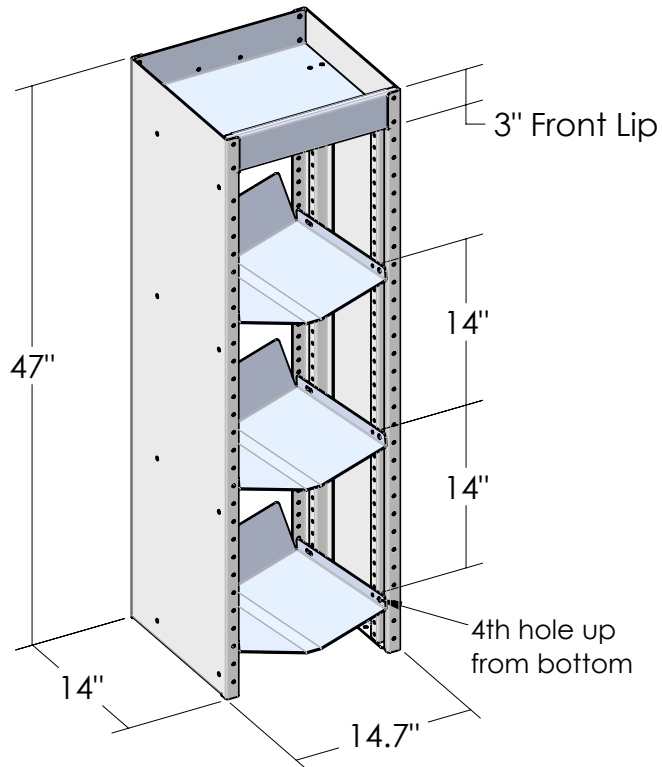


- All shelves adjustable in 1" increment



7	630102	1	Freon Tower Installation Sheet
6	647031	4	Bungee Cords
5	649202	1	Bottle Holder Tower Hardware Kit
4	362264	1	Cube Top Tray Std. 3" Lip 14"D - 14.5"L
3	012001	3	Bottle Holder Tower - Shelf 12.5"W x 13"D
2	369303	1	Cube End Panel 14" x 47" Std Tray RH Asm.
1	369302	1	Cube End Panel 14" x 47" Std Tray LH Asm.
#	PART NO.	QTY.	DESCRIPTION

5

4

3

Rev. Weight
-- 30.30635 Lbs.

JM

7541 Chapman Ave Unit B
Garden Grove, Ca 92841

Description Freon Tank Tower - 14"D x 47"T x
14.5"W - Holds 50# (x1), 30# (x3)

Material 5052 Smooth Alum. Item No. 010106

PROPRIETARY AND CONFIDENTIAL
THE INFORMATION CONTAINED IN THIS
DRAWING IS THE SOLE PROPERTY OF
J&M TRUCK BODIES, ANY
REPRODUCTION IN PART OR AS A WHOLE
WITHOUT THE WRITTEN PERMISSION OF
J&M TRUCK BODIES IS PROHIBITED.

SIZE Date 10/21/2019

Drawn By. J. Chauvin
SCALE: 1:14

2

1