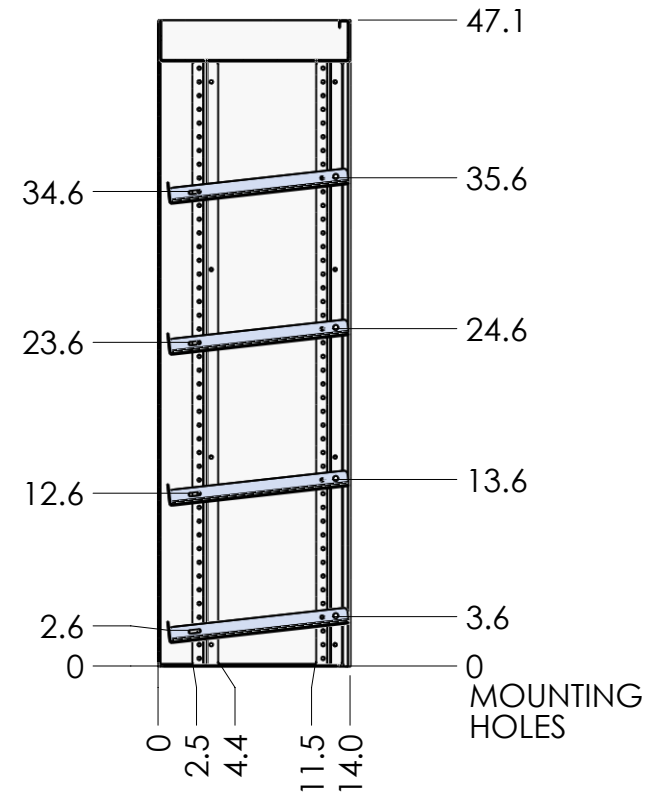
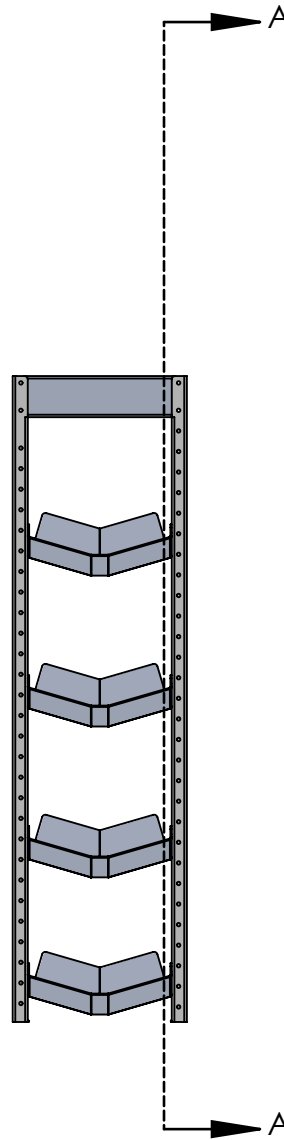
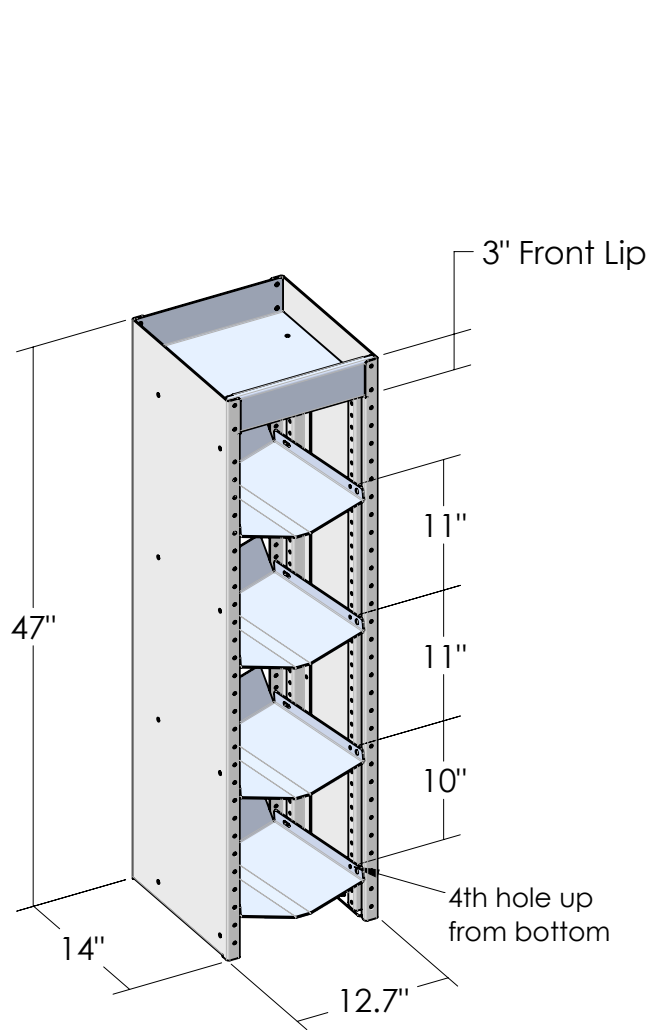


- All shelves adjustable in 1" increment



| | | | | | |
|------|--|--|--|--|------------|
| Rev. | | Weight | | Description | |
| -- | | 30.51836 Lbs. | | Freon Tank Tower - 14"D x 47"T x 12.5"W - Holds 30# (x4) | |
| | | Material | | Item No. | |
| | | 5052 Smooth Alum. | | 010107 | |
| | | PROPRIETARY AND CONFIDENTIAL | | SIZE | Date |
| | | THE INFORMATION CONTAINED IN THIS DRAWING IS THE SOLE PROPERTY OF J&M TRUCK BODIES. ANY REPRODUCTION IN PART OR AS A WHOLE WITHOUT THE WRITTEN PERMISSION OF J&M TRUCK BODIES IS PROHIBITED. | | A | 10/21/2019 |
| | | 7541 Chapman Ave Unit B Garden Grove, Ca 92841 | | Drawn By: J. Chauvin | |
| | | | | SCALE: 1:14 | |