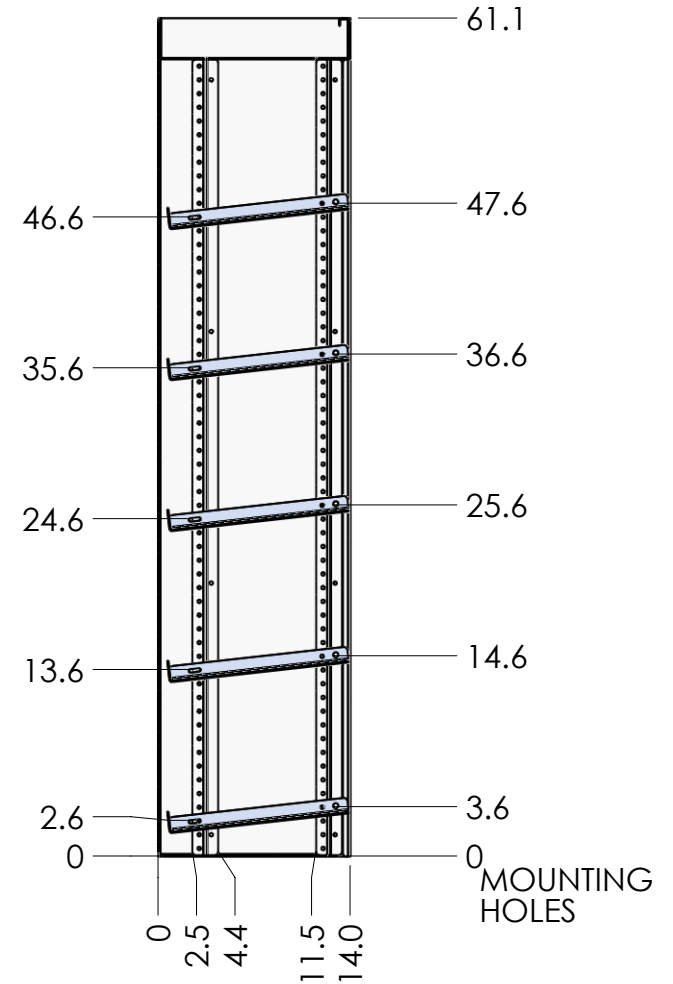
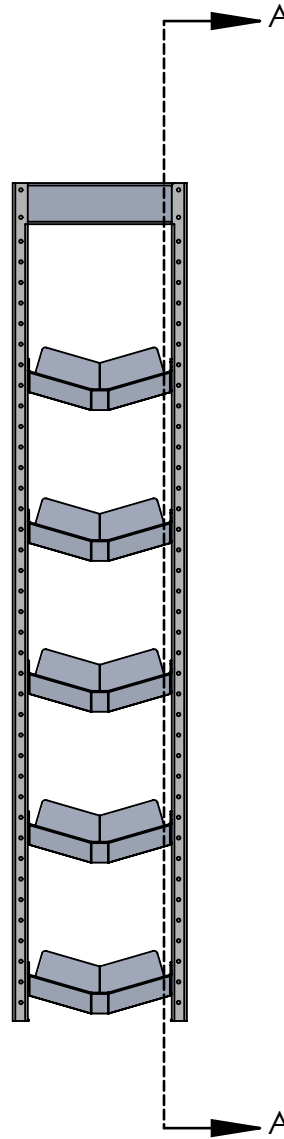
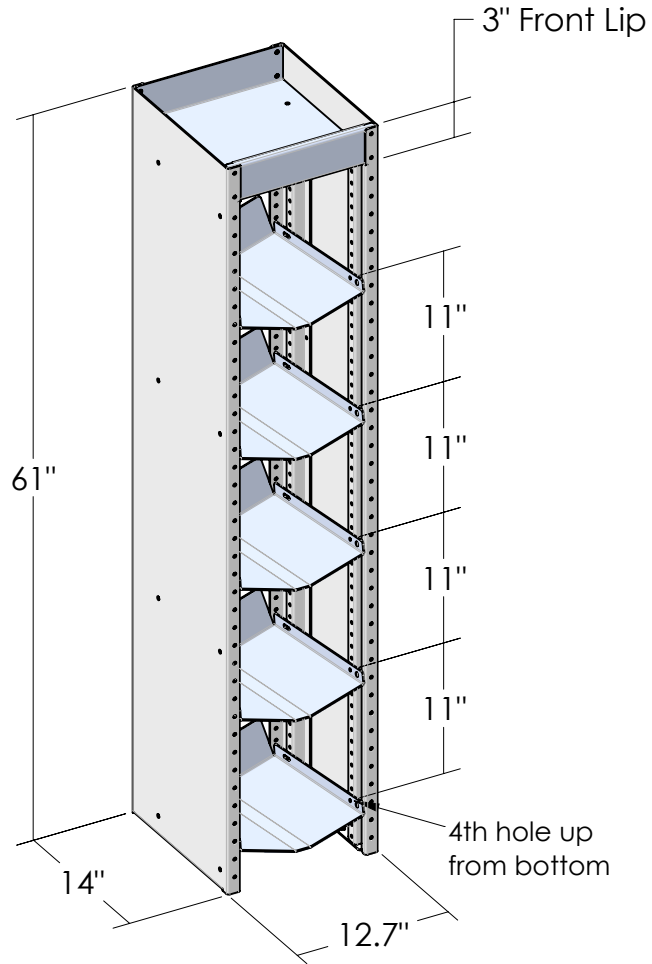



- All shelves adjustable in 1" increment



Description		Freon Tank Tower - 14"D x 61"T x 12.5"W - Holds 30# (x5)	
Material	5052 Smooth Alum.	Item No.	010108
THE INFORMATION CONTAINED IN THIS DRAWING IS THE SOLE PROPERTY OF J&M TRUCK BODIES, ANY REPRODUCTION IN PART OR AS A WHOLE WITHOUT THE WRITTEN PERMISSION OF J&M TRUCK BODIES IS PROHIBITED.		SIZE	Date
 7541 Chapman Ave Unit B Garden Grove, Ca 92841		A	10/21/2019
		Drawn By.	S. Jimenez
		SCALE:	1:14

Rev.	Weight
--	38.55591 Lbs.

5

4

3

2

1