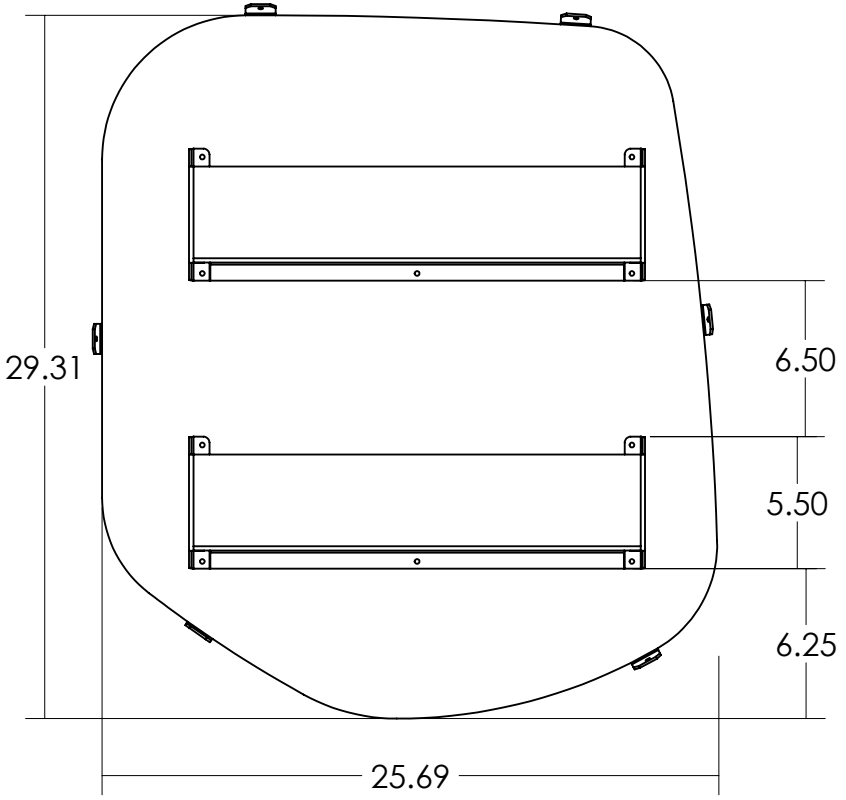
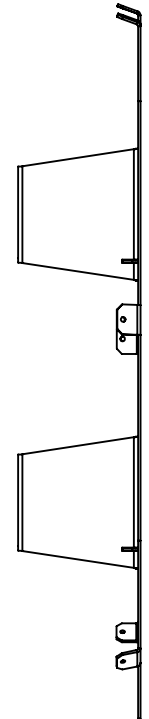
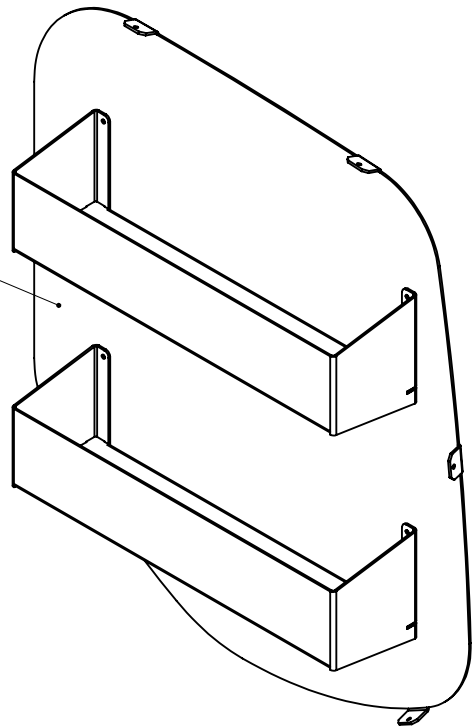




059225
1X



5	642363	6	3/16 x 1/4 Grip - Alum-Steel Dome Head Rivet - Closed End
4	642002	6	#8 - 3/4" Phillips Washer Head Tek Screws
3	059225	1	19+ Sprinter Door Panel - Rear Upper Driver - Tray Asm.
#	PART NO.	QTY.	DESCRIPTION

Rev. -- Weight 6.91818 Lbs.

 7541 Chapman Ave Unit B
 Garden Grove, Ca 92841

Description	19+ Sprinter Door Panel - Rear Upper Driver - Tray		
Material	.100 Aluminum	Item No.	050225
<small>THE INFORMATION CONTAINED IN THIS DRAWING IS THE SOLE PROPERTY OF J&M TRUCK BODIES, ANY REPRODUCTION IN PART OR AS A WHOLE WITHOUT THE WRITTEN PERMISSION OF J&M TRUCK BODIES IS PROHIBITED.</small>		SIZE	Date
A		SCALE: 1:8	4/23/2019
		Drawn By.	S. Jimenez

5

4

3

2

1