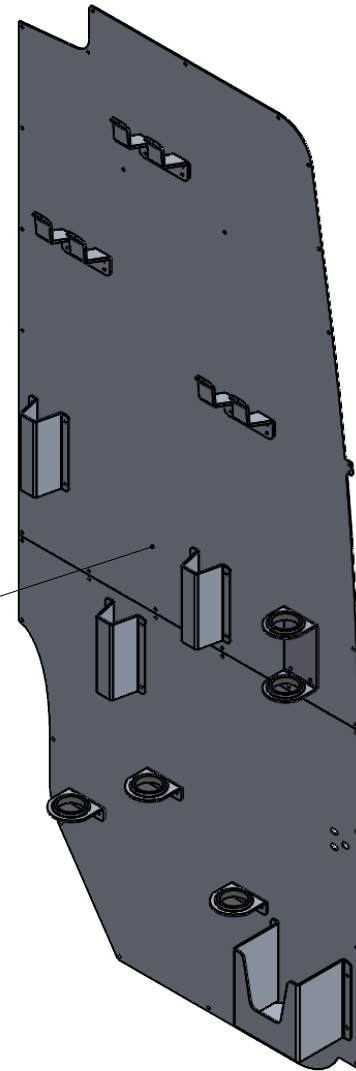


059233




3	642366	45	3/16 x 1/4 Grip - Alum-Steel Dome Head Rivet - Open End
2	642002	45	#8 x 3/4" Phillips Washer Head Tek Screw
1	059233	1	19+ Sprinter HR Door Panel - Rear Full Driver - Tool Mount Asm.
#	PART NO.	QTY.	DESCRIPTION

Rev.	Weight
--	20.70393 Lbs.



7541 Chapman Ave Unit B  
Garden Grove, Ca 92841

Description		19+ Sprinter HR Door Panel - Rear Full Driver - Tool Mount	
Material	Aluminum	Item No.	050233
<small>THE INFORMATION CONTAINED IN THIS DRAWING IS THE SOLE PROPERTY OF J&amp;M TRUCK BODIES. ANY REPRODUCTION IN PART OR AS A WHOLE WITHOUT THE WRITTEN PERMISSION OF J&amp;M TRUCK BODIES IS PROHIBITED.</small>		DATE	5/30/2024
		Drawn By.	S.Gutierrez
		SCALE:	1:12

5

4

3

2

1