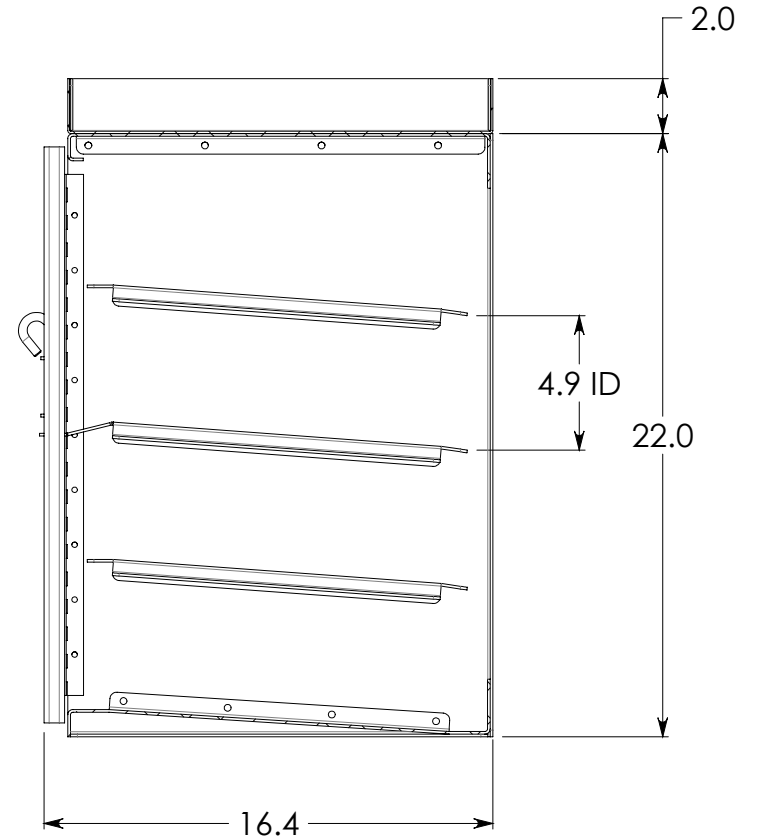
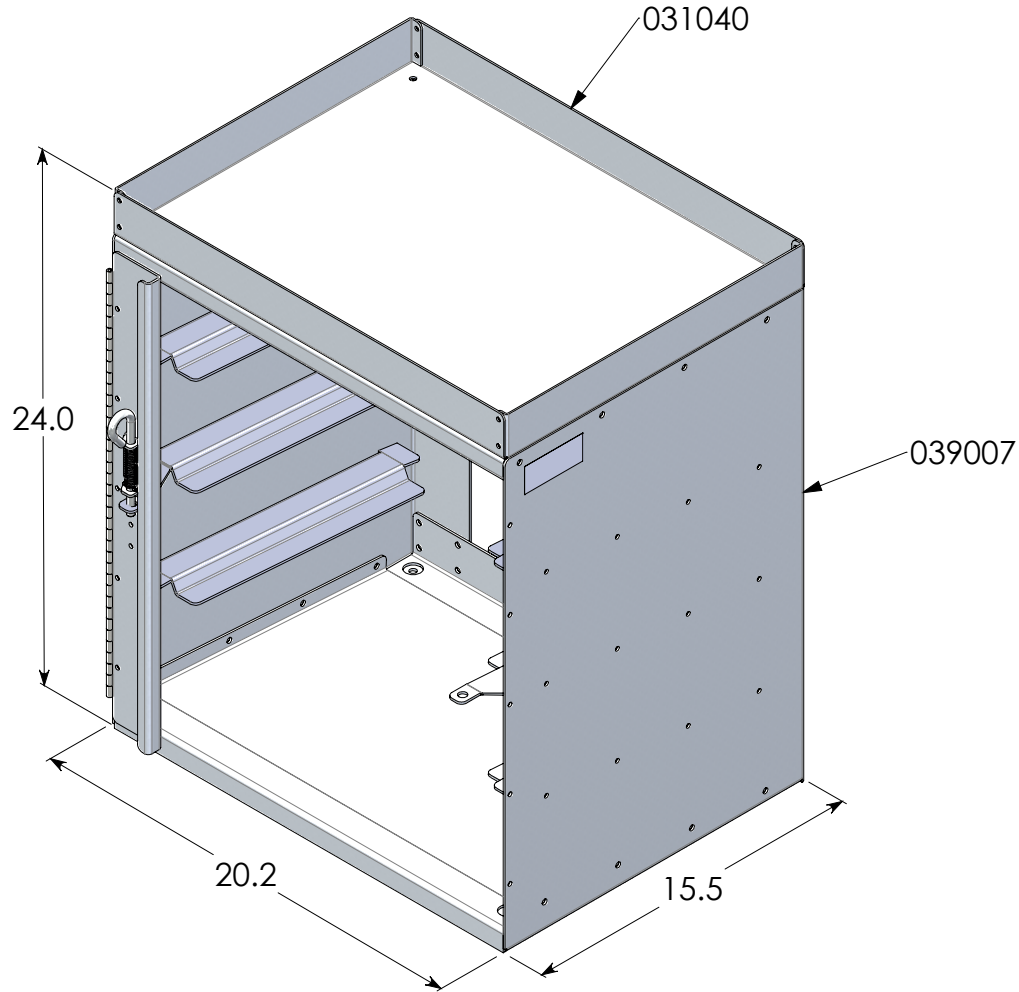


**FITS:**

- Milwaukee Packout Bin - 48-22-8430 and 48-22-8431
- Milwaukee Bin: #48228030, #225046
- Dewalt Bin: #DWST14825



**NOTE:** All dimensions are OD unless otherwise noted

5	642062	4	1/4"-20 x 5/8" Pan Head Bolt - Zinc
4	642121	4	#14 x 1" Flanged Hex Head Screw
3	642040	32	#10-24 x 5/16" Flat Head Machine Screw - Zinc (UnderCut)
2	031040	1	Parts Organizer - Top Tray (DeWalt-Milwaukee)
1	039007	1	Parts Organizer - Bottom (Milwaukee PackOut)
#	PART NO.	QTY.	DESCRIPTION

Rev. Weight  
A 22.41 Lbs.



7541 Chapman Ave Unit B  
Garden Grove, Ca 92841

Description Parts Organizer Tower - 20"W x 15.5"D x 30"H - Fits 4 (Milwaukee Packout)

Material 5052 Smooth Alum. Item No. 030007

PROPRIETARY AND CONFIDENTIAL  
THE INFORMATION CONTAINED IN THIS DRAWING IS THE SOLE PROPERTY OF J&M TRUCK BODIES. ANY REPRODUCTION IN PART OR AS A WHOLE WITHOUT THE WRITTEN PERMISSION OF J&M TRUCK BODIES IS PROHIBITED.

SIZE Date A 5/3/2024  
Drawn By. J. Chauvin  
SCALE: 1:7

5

4

3

2

1