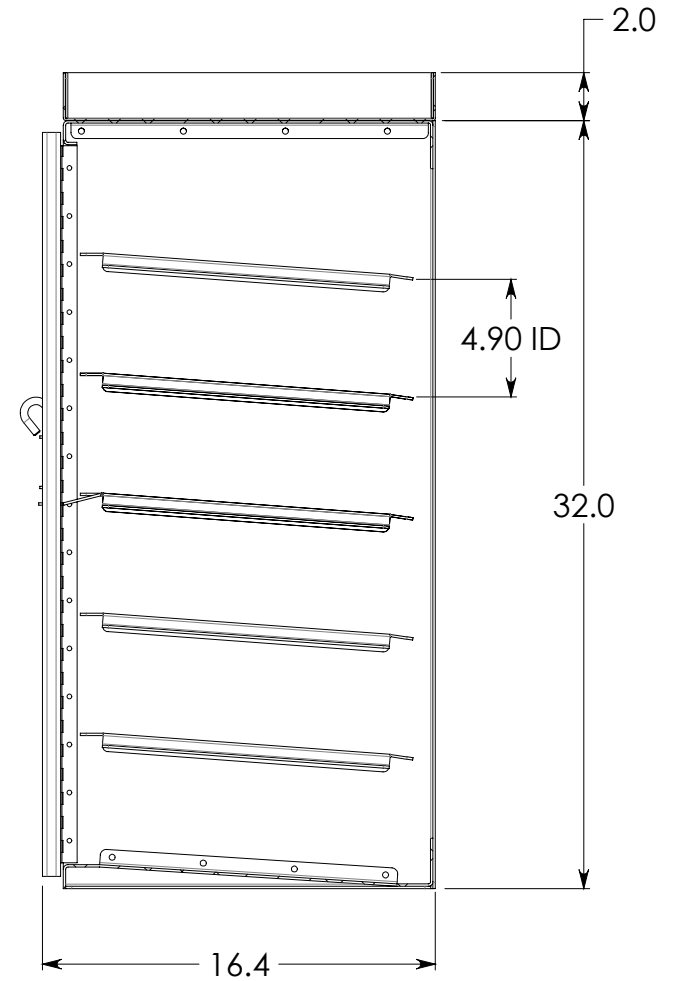
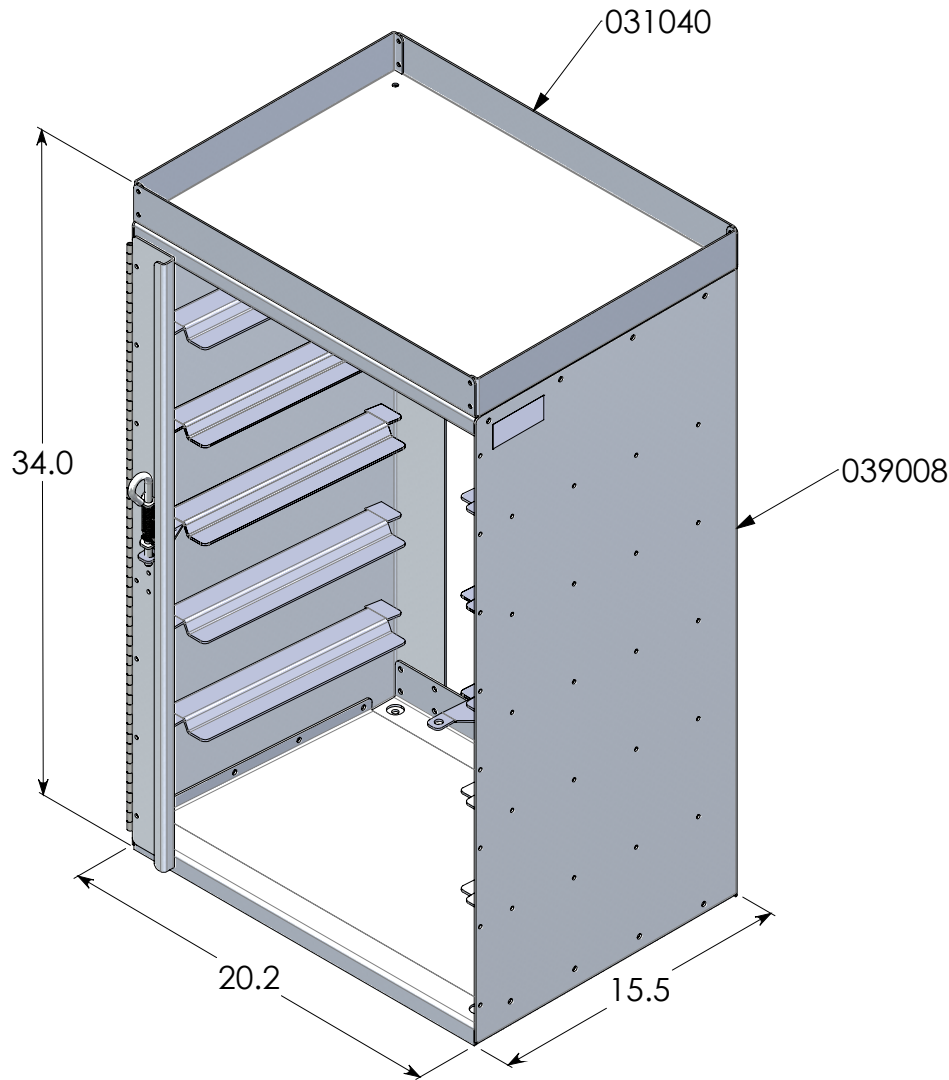


FITS:

- Milwaukee Packout Bin - 48-22-8430 and 48-22-8431



NOTE: All dimensions are OD unless otherwise noted

5	642062	4	1/4"-20 x 5/8" Pan Head Bolt - Zinc
4	642121	4	#14 x 1" Flanged Hex Head Screw
3	642040	32	#10-24 x 5/16" Flat Head Machine Screw - Zinc (UnderCut)
2	031040	1	Parts Organizer - Top Tray (DeWalt-Milwaukee)
1	039008	1	Parts Organizer Tower - 20"W x 15.5"D x 30"H - Fits 6 (Milwaukee Packout)
#	PART NO.	QTY.	DESCRIPTION

Rev. Weight
A 29.72 Lbs.



7541 Chapman Ave Unit B
Garden Grove, Ca 92841

Description Parts Organizer Tower - 20"W x 15.5"D x 30"H - Fits 6 (Milwaukee Packout)

Material 5052 Smooth Alum. Item No. 030008

PROPRIETARY AND CONFIDENTIAL THE INFORMATION CONTAINED IN THIS DRAWING IS THE SOLE PROPERTY OF J&M TRUCK BODIES. ANY REPRODUCTION IN PART OR AS A WHOLE WITHOUT THE WRITTEN PERMISSION OF J&M TRUCK BODIES IS PROHIBITED. SIZE Date A 5/3/2024

Drawn By. J. Chauvin SCALE: 1:8

5

4

3

2

1