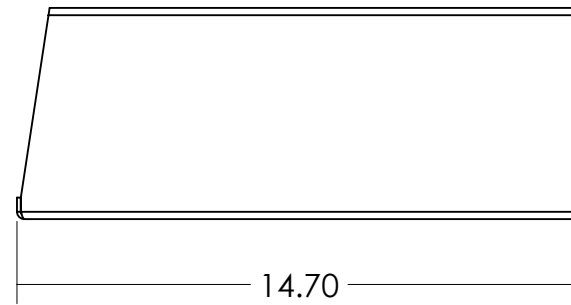
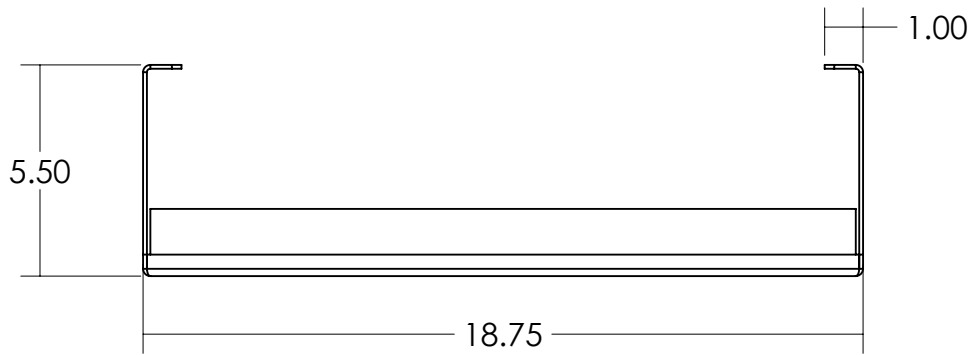
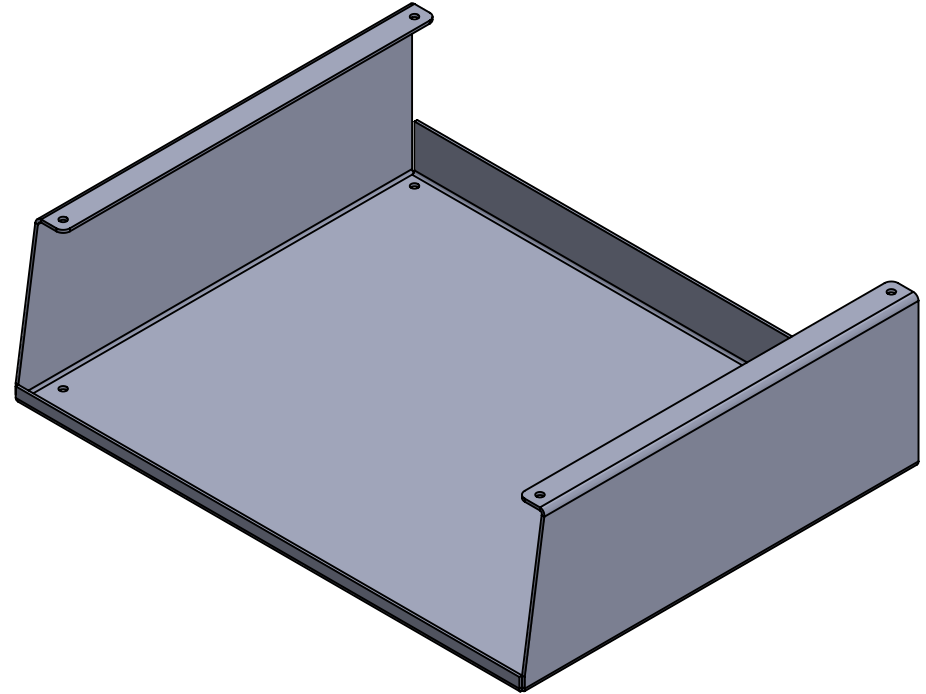


**FITS:**

- Milwaukee Bin: #48228030, #225046
- Dewalt Bin: #DWST14825



3	642062	4	1/4"-20 x 5/8" Pan Head Bolt - Zinc
2	642056	4	1/4"-20 Nyloc Flange Nut - Zinc
1	032012	1	Hanging Tray - Milwaukee Parts Organizer
#	PART NO.	QTY.	DESCRIPTION

Rev. Weight  
-- 1.75566 Lbs.



7541 Chapman Ave Unit B  
Garden Grove, Ca 92841

Description Hanging Tray - Milwaukee / Dewalt Parts Organizer

Material .100 Aluminum Item No. 030023

PROPRIETARY AND CONFIDENTIAL THE INFORMATION CONTAINED IN THIS DRAWING IS THE SOLE PROPERTY OF J&M TRUCK BODIES. ANY REPRODUCTION IN PART OR AS A WHOLE WITHOUT THE WRITTEN PERMISSION OF J&M TRUCK BODIES IS PROHIBITED. SIZE Date 3/24/2020

Drawn By: S. Jimenez SCALE: 1:5

5

4

3

2

1