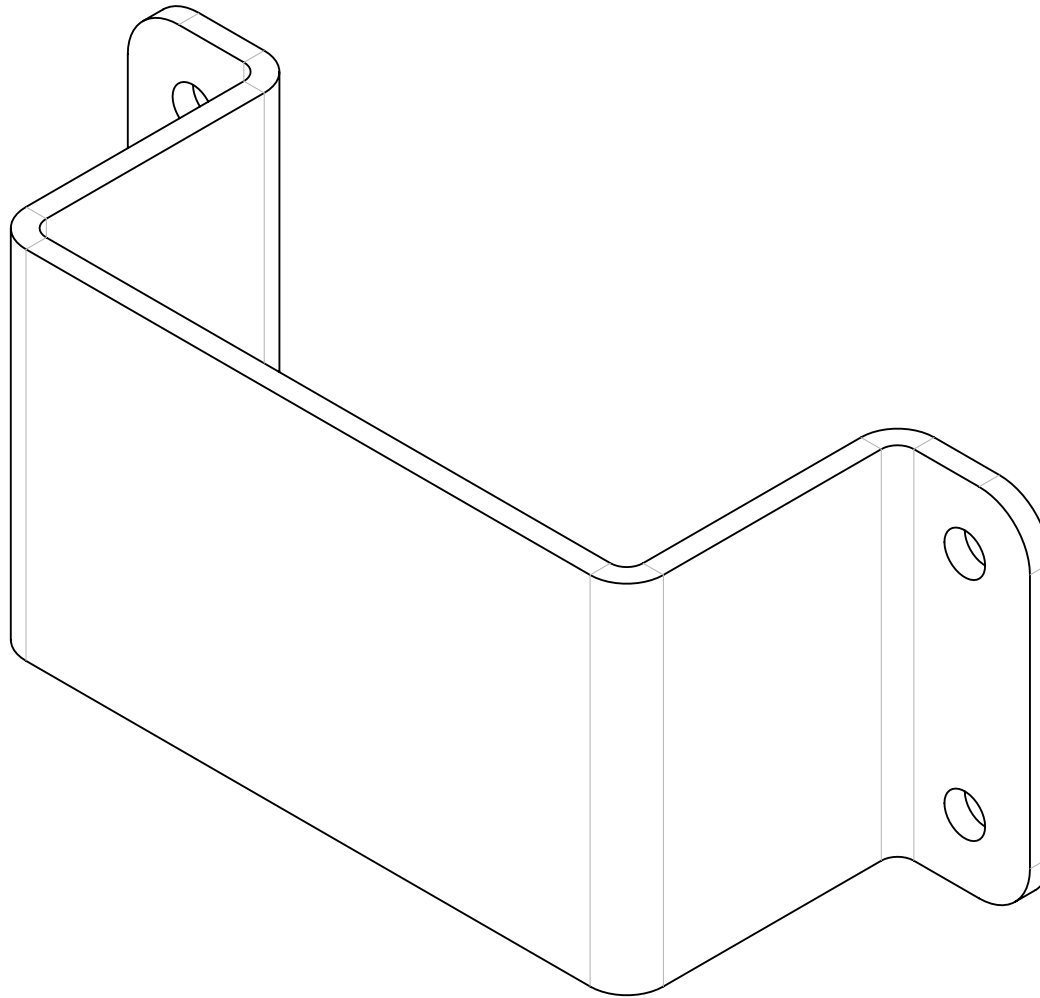



Made To Fit Most Puck Locks with a Step



	N/A	1	BOM Sheet 170051 (Fold To Show Part No.)
	642002	4	#8 x 3/4" Phillips Washer Head Tek Screw
	642366	4	3/16 x 1/4 Dome - Alum-Steel Rivet Dome Head - Open End
1	171001	1	Puck Lock Holder - Alum.
#	PART NO.	QTY.	DESCRIPTION

Rev. -- Weight 0.11 Lbs.



7541 Chapman Ave Unit B
Garden Grove, Ca 92841

Description		Puck Lock Holder - Alum.	
Material	5052-H32	Item No.	170051
<small>PROPRIETARY AND CONFIDENTIAL</small> <small>THE INFORMATION CONTAINED IN THIS DRAWING IS THE SOLE PROPERTY OF J&M TRUCK BODIES. ANY REPRODUCTION IN PART OR AS A WHOLE WITHOUT THE WRITTEN PERMISSION OF J&M TRUCK BODIES IS PROHIBITED.</small>		<small>SIZE</small> A	<small>Date</small> 10/15/2019 <small>Drawn By.</small> SCALE: 1:1.2

5

4

3

2

1