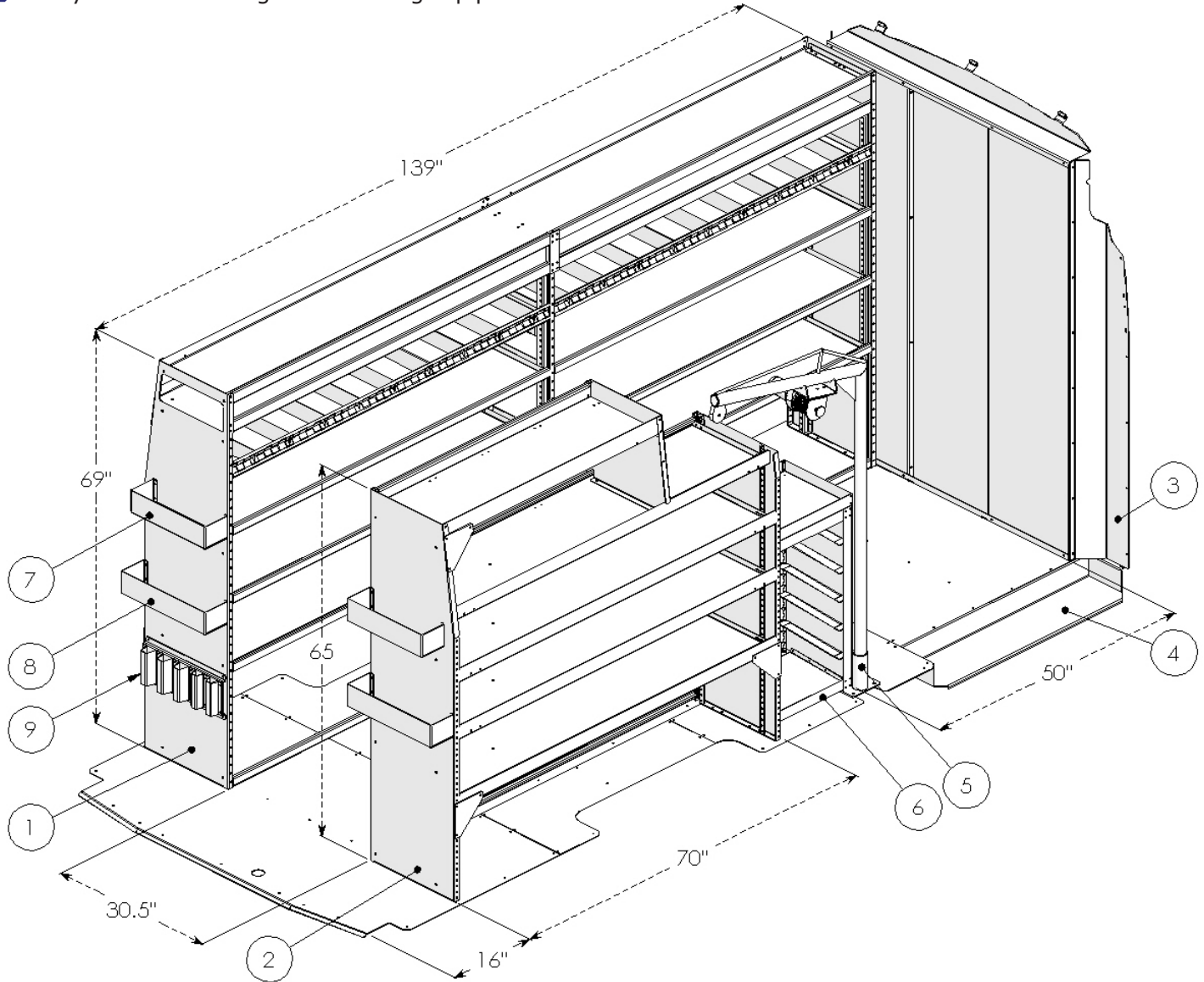


Ford Transit Van Pro Plus Package

FT6103

14+ Ford - High Roof - 148" Wheel Base Ext. - Single Rear Wheel

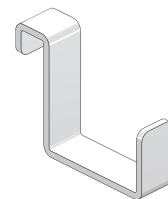
- » Durable & lightweight aluminum construction
- » 18" deep fully adjustable shelves maximize storage space
- » Easy & secure storage for full-length pipe



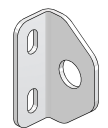
#	DESCRIPTION	QTY.	ITEM NO.
1	Pipe Tray Shelving Unit 4 shelves	1	360191
2	Notched Shelving Unit 4 shelves	1	360208
3	Headboard Solid, No window	1	110055
4	Flooring Treadbrite	1	100055
5	Parts Organizer 6 DeWalt/Milwaukee Containers	1	030004
6	Hoist	1	130043
7	Tray 16"W x 4"H x 5"D	2	530120
8	Tray 18"W x 4"H x 5"D	2	530122
9	Wrench Holder 3 Large, 2 Small	1	530029

Options are available for items in this package

Comes with: 140020



Slide Hook
(1 Pkg of 5)



Shelving Loop
(1 Pkg of 10)

