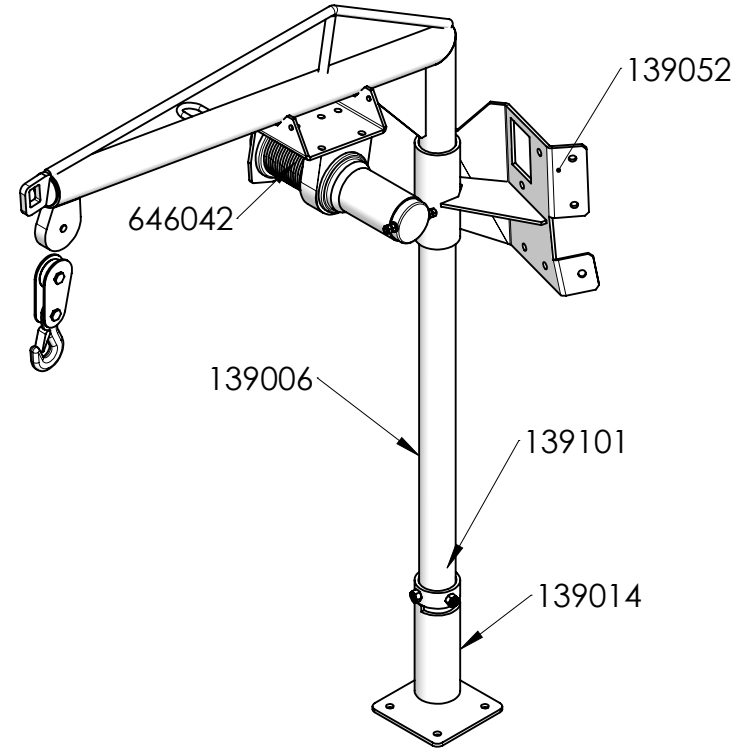
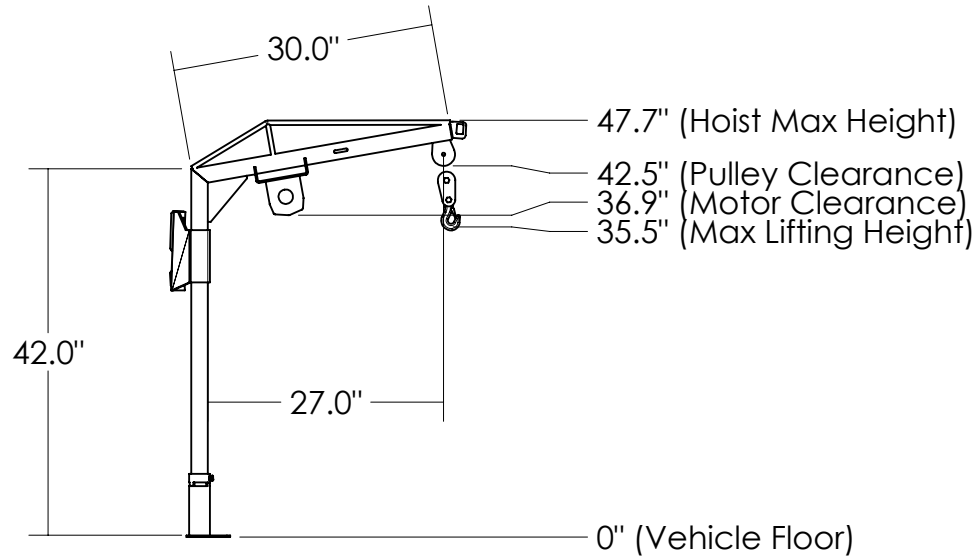


Notes:  
 \*500Lbs. Lifting Capacity  
 \*Powdercoated Black



20	139100	5	3/8" x 4" Nut Plate Asm
19	139006	1	Boom Asm. - 10° x 30" Jib   Cut boom to 42"
18	139052	1	Upper Mount Asm. - 14+ Ford Transit - Side Door Lo-Roof
16	642277	5	3/8"-16 x 1 1/4" Grade 8 Hex Bolt
15	642252	5	3/8" SAE Flat Washer - Zinc
14	642251	5	3/8" Lock Washer - Zinc
13	642205	3	5/16" x 1.25" Sheet Metal Screws
12	642392	2	5/16-18 Rivet Nut - Flange - Zinc - Chromate
11	642174	2	5/16"-18 x 1" Grade 8 Hex Bolt
10	642152	2	5/16" Flat Washer - Zinc
9	642151	2	5/16" Lock Washer - Zinc
8	648011	1	Push-In Rubber Plug - 2" Hole x 1/8" Sheet
7	649154	1	Hoist Electrical Hardware Kit (not shown)
6	640026	1	J&M Rivnut Tool (for 5/16-18 bolt)
5	646042	1	Winch Motor - Steel Line 12v With Handheld Remote
4	646001	1	Winch Pully Block - Attached to Cable on Motor
3	131045	1	Pulley w/ Axle and Cotter Pin
2	139101	1	Pivot Tube Stop Asm
1	139014	1	Lower Mount Asm. - Corner Base Plate - 5"L x 5"W
#	<b>PART NO.</b>	<b>130044/QTY.</b>	<b>DESCRIPTION</b>

Rev. Weight  
 -- 40.91 Lbs.



7541 Chapman Ave Unit B  
 Garden Grove, Ca 92841

Description 14+ Ford Transit Van - 12V Electric Hoist Kit - Side Low Roof

Material Steel Item No. 130044

PROPRIETARY AND CONFIDENTIAL

THE INFORMATION CONTAINED IN THIS DRAWING IS THE SOLE PROPERTY OF J&M TRUCK BODIES. ANY REPRODUCTION IN PART OR AS A WHOLE WITHOUT THE WRITTEN PERMISSION OF J&M TRUCK BODIES IS PROHIBITED.

SIZE Date 10/10/2024

Drawn By. S.Gutierrez SCALE: 1:18