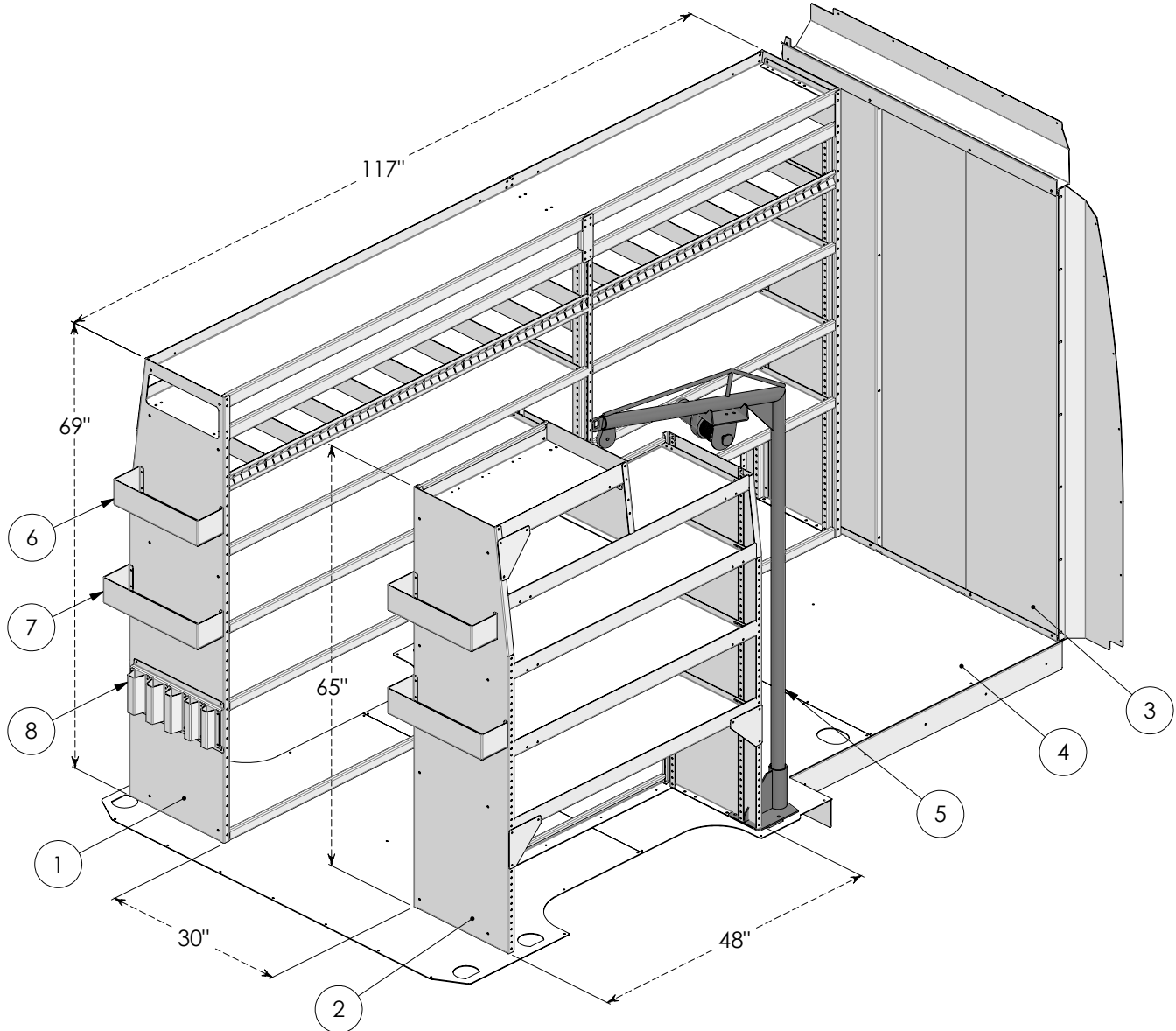


Sprinter Van Pro Plus Package

SP2103

07+ Sprinter - High Roof - 144" Wheel Base - Single Rear Wheel

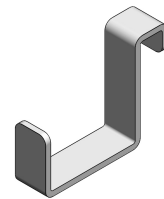
- » Durable & lightweight aluminum construction
- » 18" deep fully adjustable shelves maximize storage space
- » Easy & secure storage for up to 10' pipe



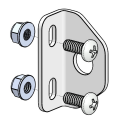
| # | DESCRIPTION | QTY. | ITEM NO. |
|---|-------------------------------------|------|----------|
| 1 | Pipe Tray Shelving Unit 4 shelves | 1 | 360060 |
| 2 | Notched Shelving Unit 4 shelves | 1 | 360049 |
| 3 | Headboard Solid, No window | 1 | 110070 |
| 4 | Flooring Treadbite | 1 | 100031 |
| 5 | Hoist | 1 | 130022 |
| 6 | Tray 14"W x 4"H x 4"D | 2 | 530105 |
| 7 | Tray 16"W x 4"H x 4"D | 2 | 530107 |
| 8 | Wrench Holder 3 Large, 2 Small | 1 | 530029 |

Options are available for items in this package

Comes with:



Slide Hook
(1 Pkg of 5)
140002



Shelving Loop
(1 Pkg of 10)
140021

