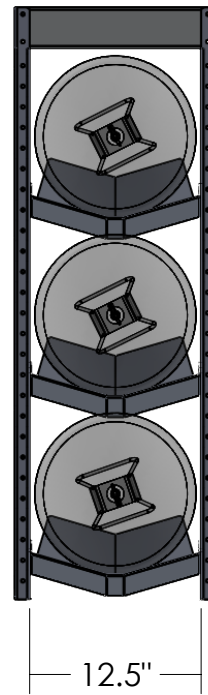
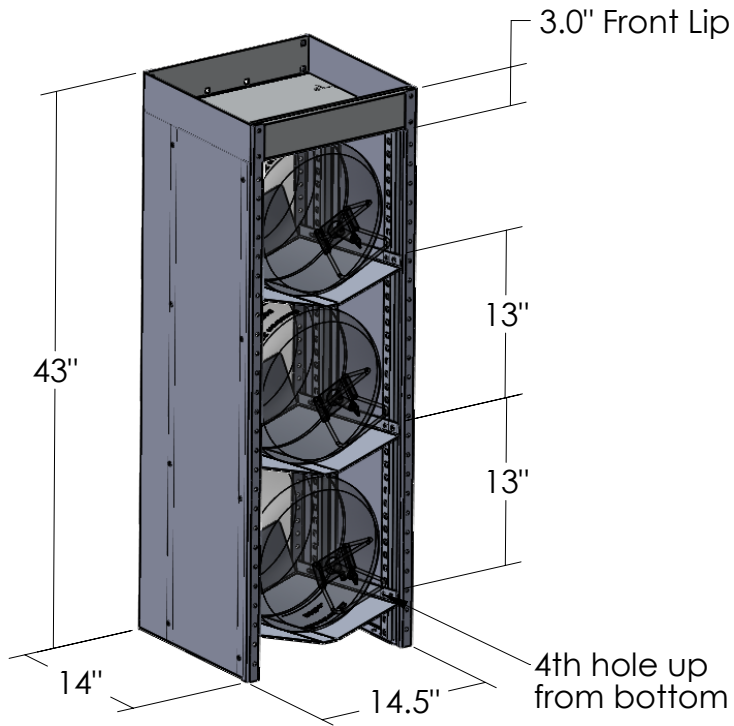
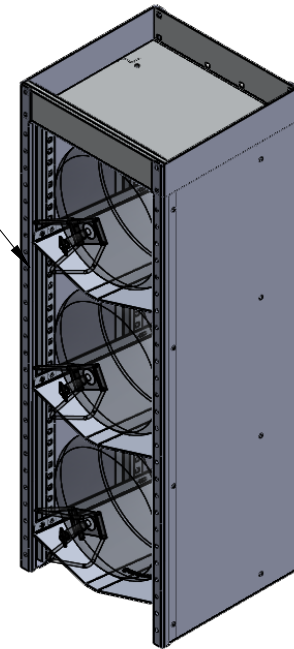


- All shelves adjustable in 1" increment



019111
1X
1XX



3	649202	1	Bottle Holder Tower - Hdw Kit
2	647031	3	Bungy Cord - 3/16" Diameter X 12" Long Overall
1	019111	1	Freon Tank Tower - 14"D x 43"T x 14.5"W - Asm.
#	PART NO.	QTY.	DESCRIPTION

5

4

3

Rev. Weight
-- 166.53385 Lbs.



7541 Chapman Ave Unit B
Garden Grove, Ca 92841

Description Freon Tank Tower - 14"D x 43"T x 14.5"W - Holds 50# (x3) Or 30# (x3)

Material Aluminum Item No. 010111

PROPRIETARY AND CONFIDENTIAL THE INFORMATION CONTAINED IN THIS DRAWING IS THE SOLE PROPERTY OF J&M TRUCK BODIES. ANY REPRODUCTION IN PART OR AS A WHOLE WITHOUT THE WRITTEN PERMISSION OF J&M TRUCK BODIES IS PROHIBITED. SIZE Date 3/11/2021

Drawn By. S.Gutierrez SCALE: 1:24

A

2

1