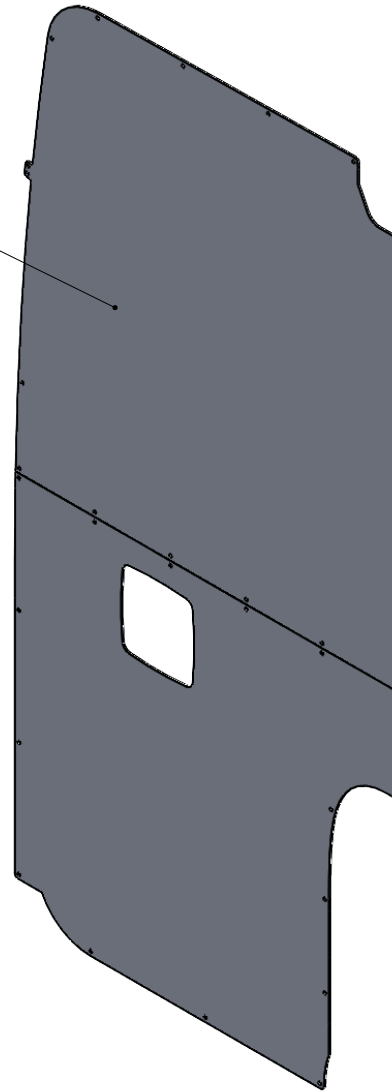



051228



#	PART NO.	QTY.	DESCRIPTION
3	642366	40	3/16 x 1/4 Grip - Alum-Steel Dome Head Rivet - Open End
2	642002	40	#8 x 3/4" Phillips Washer Head Tek Screw
1	051228	1	19+ Sprinter LR Door Panel - Rear Full Passenger - Solid

Rev.	Weight	Lbs.
--		
		
7541 Chapman Ave Unit B Garden Grove, Ca 92841		

Description	19+ Sprinter LR Door Panel - Rear Full Passenger - Solid		
Material	Aluminum	Item No.	050228
<small>PROPRIETARY AND CONFIDENTIAL</small> <small>THE INFORMATION CONTAINED IN THIS DRAWING IS THE SOLE PROPERTY OF J&amp;M TRUCK BODIES. ANY REPRODUCTION IN PART OR AS A WHOLE WITHOUT THE WRITTEN PERMISSION OF J&amp;M TRUCK BODIES IS PROHIBITED.</small>		SIZE	Date
<b>A</b>		1	5/30/2024
		Drawn By.	S.Gutierrez
		SCALE:	1:10

5

4

3

2

1