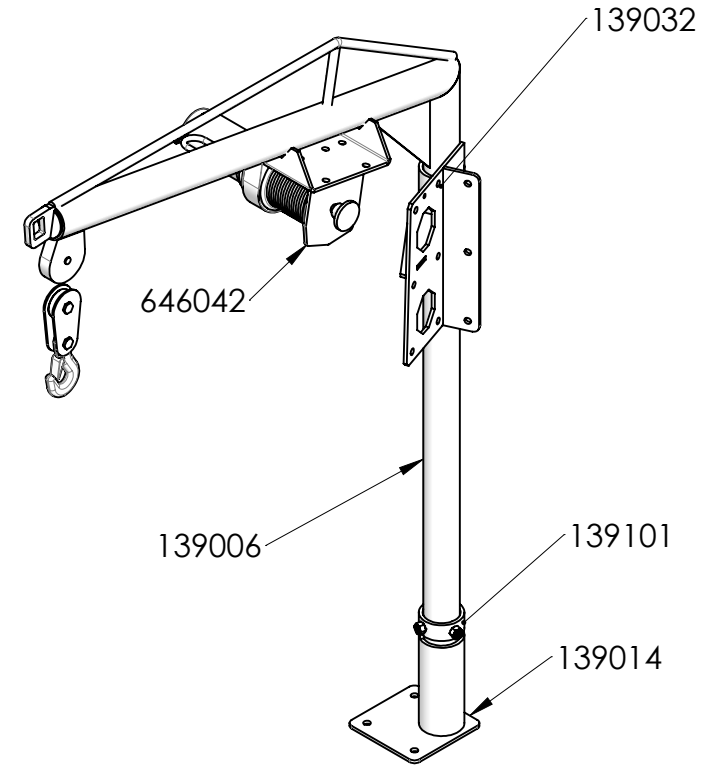
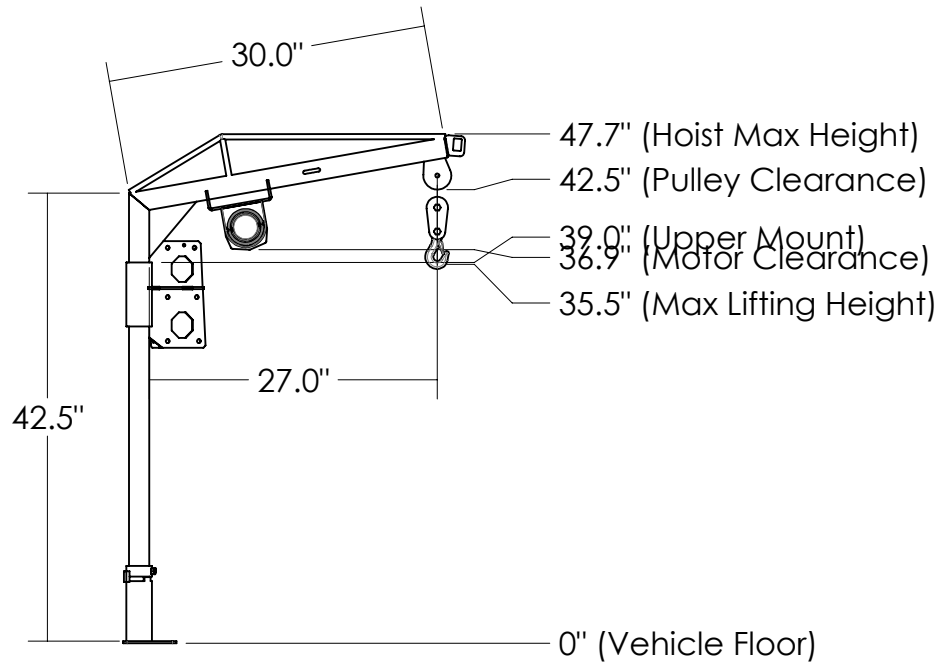
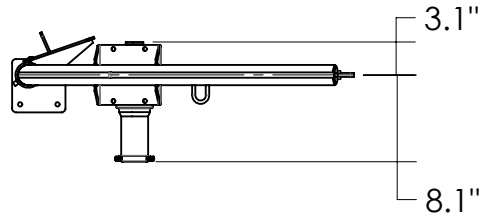


Notes:
 *500Lbs. Lifting Capacity
 *Powdercoated Black



13	642277	9	3/8"-16 x 1 1/4" Grade 8 Hex Bolt
12	642252	9	3/8" SAE Flat Washer - Zinc
11	642256	9	3/8"-16 Nyloc Flange Nut - Zinc
10	642230	1	6mm x 1.0 x 20mm - Flanged Hex Head Bolt - Zinc
9	642205	4	5/16 x 1 1/2" - Flanged Hex Head Sheet Metal Screw
8	649154	1	Hoist Electrical Hardware Kit (not shown)
7	646042	1	Winch Motor - Steel Line 12v With Handheld Remote
7	646001	1	Winch Pully Block - Attached to Cable on Motor
5	131045	1	Pulley w/ Axle and Cotter Pin
4	139101	1	Pivot Tube Stop Asm
3	139032	1	12+ Nissan NV - Upper Mount Asm. - Rear LR Driver
2	139014	1	Lower Mount Asm. - Corner Base Plate - 5"L x 5"W
1	139006	1	Boom Asm. - 10° x 30" Jib Cut boom to 42.5"
#	PART NO.	QTY.	DESCRIPTION

Rev. Weight
 -- 36.95 Lbs.



7541 Chapman Ave Unit B
 Garden Grove, Ca 92841

Description	12+ Nissan NV - 12V Electric Hoist Kit - Rear LR Driver	
Material	Steel	Item No. 130023
PROPRIETARY AND CONFIDENTIAL <small>THE INFORMATION CONTAINED IN THIS DRAWING IS THE SOLE PROPERTY OF J&M TRUCK BODIES. ANY REPRODUCTION IN PART OR AS A WHOLE WITHOUT THE WRITTEN PERMISSION OF J&M TRUCK BODIES IS PROHIBITED.</small>		SIZE Date A 5/21/2024
Drawn By: S.Gutierrez SCALE: 1:18		

5

4

3

2

1