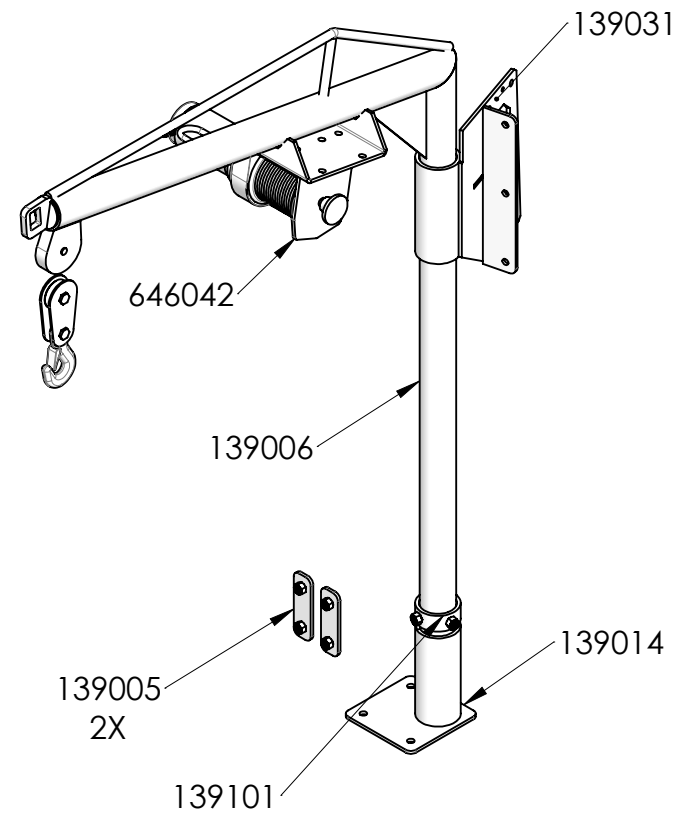
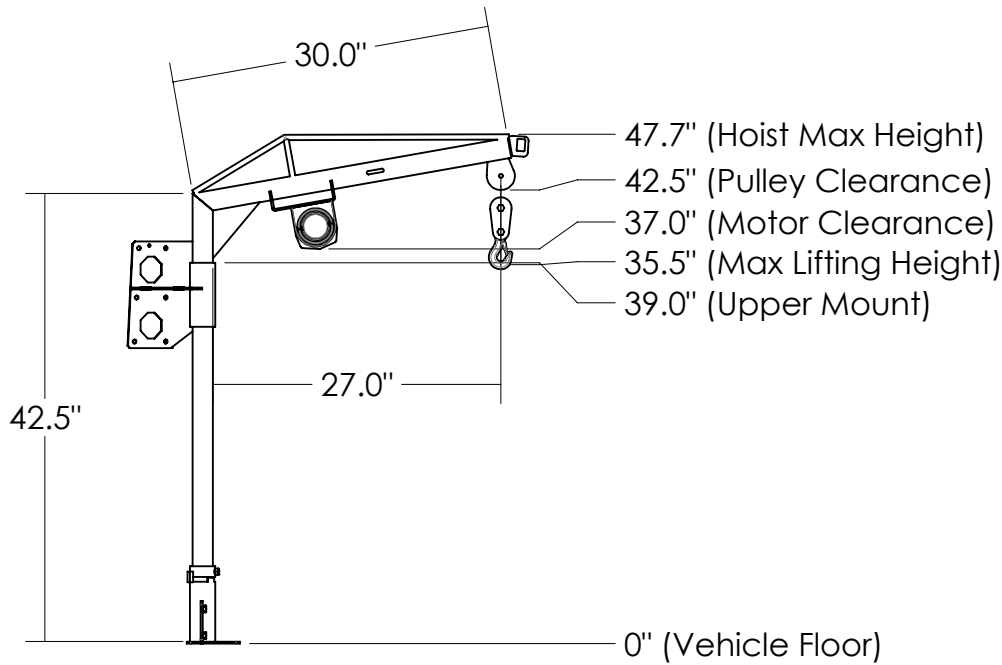
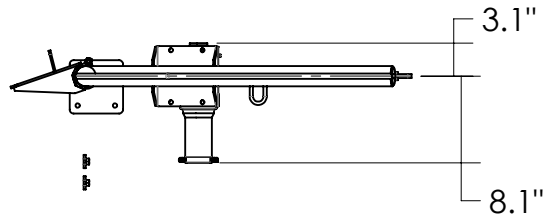


Notes:  
 \*500Lbs. Lifting Capacity  
 \*Powdercoated Black



13	642277	9	3/8"-16 x 1 1/4" Grade 8 Hex Bolt
12	642252	9	3/8" SAE Flat washer - Zinc
11	642256	9	3/8"-16 Nyloc Flange Nut - Zinc
10	642205	3	5/16 x 1-1/4" - Flanged Hex Head Sheet Metal Screw
9	649154	1	Hoist Electrical Hardware Kit (not shown)
8	646042	1	Winch Motor - Steel Line 12v With Handheld Remote
7	646001	1	Winch Pully Block - Attached to Cable on Motor
6	131045	1	Pulley w/ Axle and Cotter Pin
5	139005	2	Backing Plate Asm. - 1.25" x 6" - 3.5" Hole Spacing
4	139101	1	Pivot Tube Stop Asm
3	139014	1	Lower Mount Asm. - Corner Base Plate - 5"L x 5"W
2	139031	1	12+ Nissan NV - Upper Mount Asm. - Rear LR Pass
1	139006	1	Boom Asm. - 10° x 30" Jib   Cut boom to 42.5"
#	<b>PART NO.</b>	<b>QTY.</b>	<b>DESCRIPTION</b>

Rev. Weight  
 -- 37.52 Lbs.



7541 Chapman Ave Unit B  
 Garden Grove, Ca 92841

Description	12+ Nissan NV - 12V Electric Hoist Kit - Rear LR Pass.		
Material	Steel	Item No.	130025
PROPRIETARY AND CONFIDENTIAL	SIZE	Date	5/21/2024
<small>THE INFORMATION CONTAINED IN THIS DRAWING IS THE SOLE PROPERTY OF J&amp;M TRUCK BODIES. ANY REPRODUCTION IN PART OR AS A WHOLE WITHOUT THE WRITTEN PERMISSION OF J&amp;M TRUCK BODIES IS PROHIBITED.</small>			<b>A</b> Drawn By: S.Gutierrez SCALE: 1:18

5

4

3

2

1