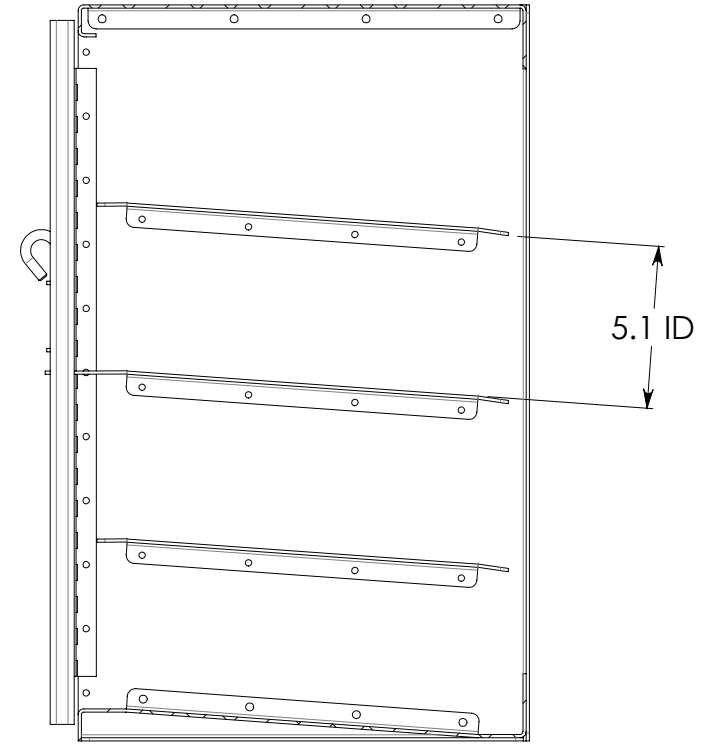


FITS:

- (Ridgid Model #: 238093)
- Craftsman Model #CMST17817



NOTE: All dimensions are OD unless otherwise noted

6	642056	4	1/4"-20 Nyloc Flange Nut - Zinc
5	642062	4	1/4"-20 x 5/8" Pan Head Bolt - Zinc
4	642121	4	#14 x 1" Flanged Hex Head Screw
3	642040	32	#10-24 x 5/16" Flat Head Machine Screw - Zinc (UnderCut)
2	031016	1	Parts Organizer - Top Tray (DeWalt-Milwaukee)
1	039004	1	Parts Organizer Tower Asm. - 19"W x 14.5"D x 32"H - Fits 6 (DeWalt-Milwaukee)
#	PART NO.	QTY.	DESCRIPTION

Rev. Weight
-- 22.00 Lbs.



7541 Chapman Ave Unit B
Garden Grove, Ca 92841

Description Parts Organizer Tower - 20"W x 15.5"D x 24"H - Fits 4 (Ridgid)

Material 5052 Smooth Alum. Item No. 030015

PROPRIETARY AND CONFIDENTIAL THE INFORMATION CONTAINED IN THIS DRAWING IS THE SOLE PROPERTY OF J&M TRUCK BODIES. ANY REPRODUCTION IN PART OR AS A WHOLE WITHOUT THE WRITTEN PERMISSION OF J&M TRUCK BODIES IS PROHIBITED.

SIZE Date 2/10/2024

Drawn By. J. Chauvin SCALE: 1:6