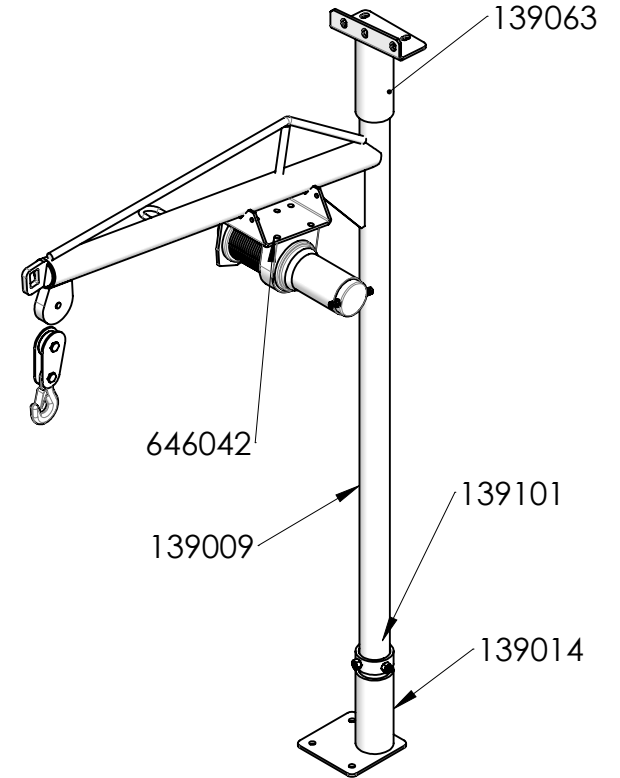
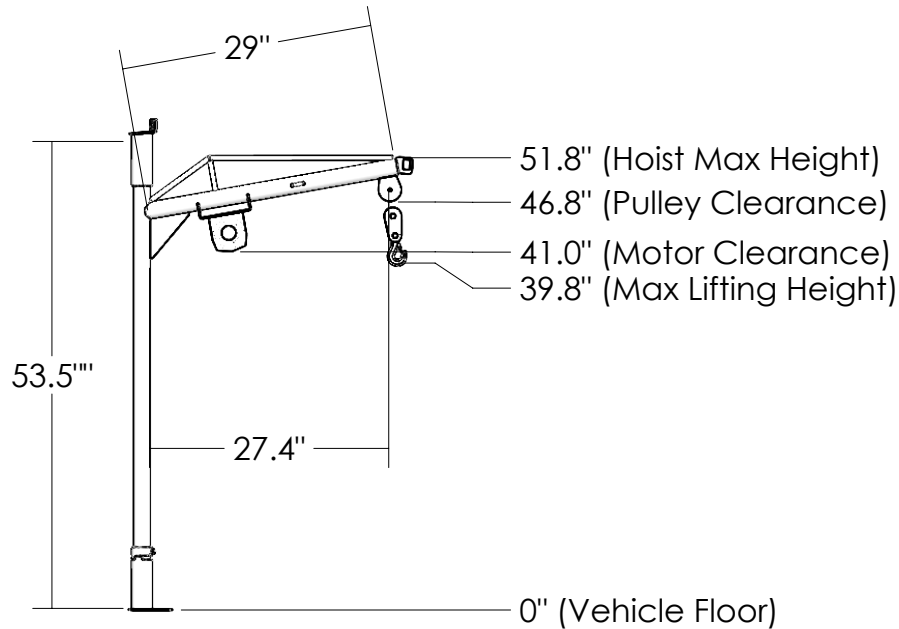
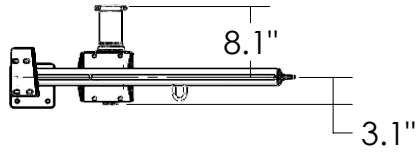


Notes:
 *500Lbs. Lifting Capacity
 *Powdercoated Black



18	642664	2	5/16"-18 x 1" Hex Head Bolt - Stainless (Upper Mount)
17	642652	2	5/16" Flat Washer - Stainless - (Upper Mount)
16	642156	4	5/16-18 Nyloc Flange Nut - Zinc (Upper/Lower Mount)
15	642151	5	5/16 Lock Washer - Zinc (Upper Mount)
14	642152	7	5/16 SAE Flat washer - Zinc (Upper Mount)
13	642175	5	5/16-18 x 1-1/4" Grade 8 Hex Bolt - Yellow-Chromate (Upper Mount)
12	642392	5	5/16-18 Gold Zinc NutSert PreBulb (Rivet Nuts) (Upper Mount)
11	642186	2	5/16-18 x 2" Flanged Hex Head Bolt - Zinc - (Lower Mount)
10	642204	1	5/16 x 2" - Flanged Hex Head Sheet Metal Screw (Lower Mount)
9	640026	1	J&M Rivnut Tool (For 5/16-18 Bolt) (Installation Tool)
8	649154	1	Hoist Electrical Hardware Kit (not shown)
7	646042	1	Winch Motor - Steel Line 12v With Handheld Remote
6	646001	1	Winch Pully Block - Attached to Cable on Motor
5	131045	1	Pulley w/ Axle and Cotter Pin
4	139101	1	Pivot Tube Stop Asm
3	139014	1	Lower Mount Asm. - Corner Base Plate - 5"L x 5"W
2	139063	1	Upper Mount Asm. - 14+ Ford Transit - LR Passenger Side Door B-Pillar
1	139009	1	Boom Asm. - 10° x 28.75" Jib x 66"L Extended Boom
#	PART NO.	Qty	DESCRIPTION

Description 14+ Ford Transit Van - 12V Electric Hoist Kit - Side Door B-Pillar Mount LR Passenger Side

Rev. Weight
 -- 43.34 Lbs.

Material Mild Steel (Black) Item No. 130054

PROPRIETARY AND CONFIDENTIAL

SIZE Date 9/25/2025

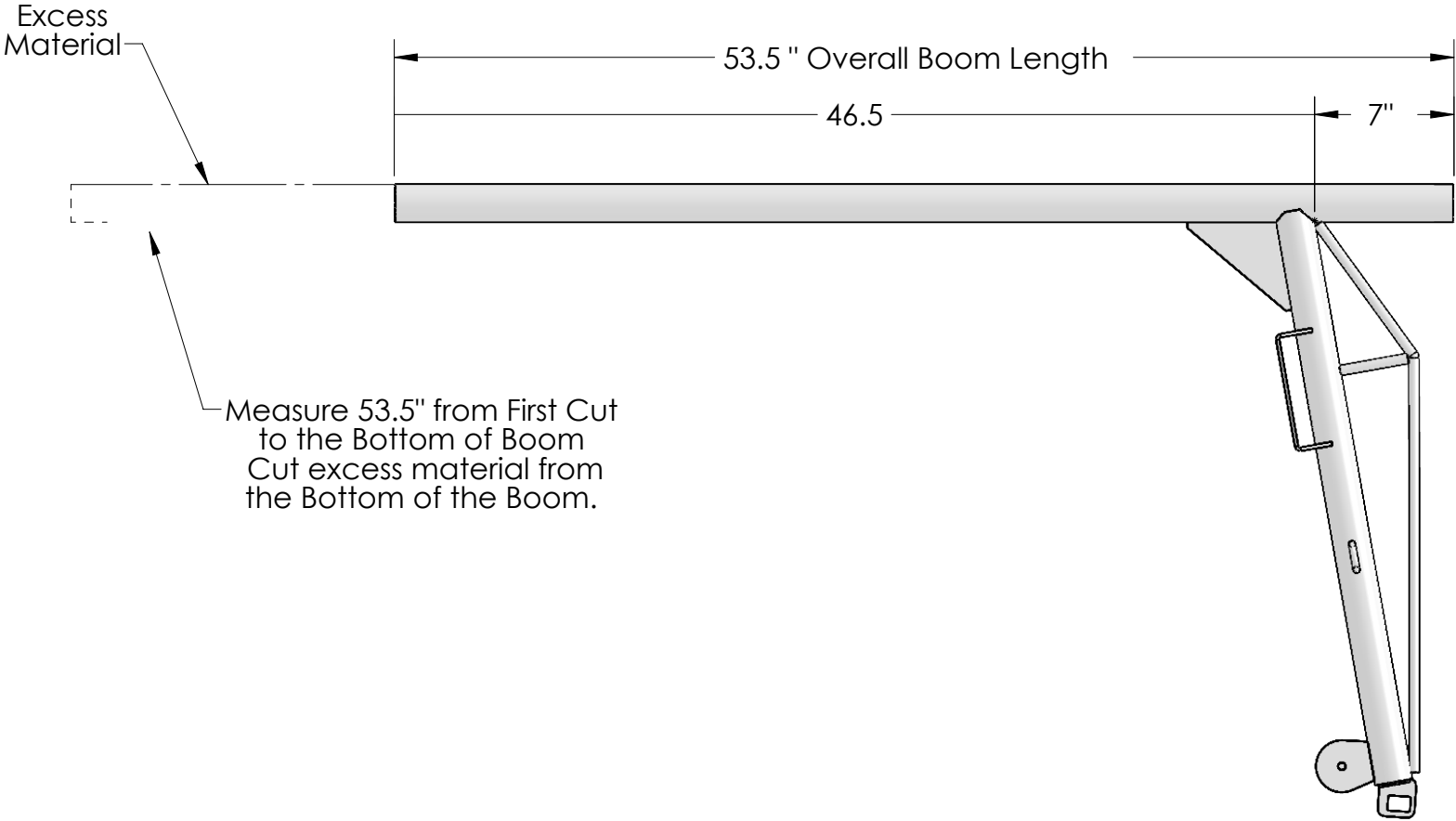
THE INFORMATION CONTAINED IN THIS DRAWING IS THE SOLE PROPERTY OF J&M TRUCK BODIES. ANY REPRODUCTION IN PART OR AS A WHOLE WITHOUT THE WRITTEN PERMISSION OF J&M TRUCK BODIES IS PROHIBITED.

Drawn By. J. Chauvin

7541 Chapman Ave Unit B Garden Grove, Ca 92841

SCALE: 1:18

Cut Boom As Shown



Rev.		Weight		Description	
--				Boom Asm. - 10° x 28.75" Jib x 66"L Extended Boom	
		Lbs.		Material	Item No.
				Mild Steel (Black)	130054
				PROPRIETARY AND CONFIDENTIAL	SIZE
				THE INFORMATION CONTAINED IN THIS DRAWING IS THE SOLE PROPERTY OF J&M TRUCK BODIES. ANY REPRODUCTION IN PART OR AS A WHOLE WITHOUT THE WRITTEN PERMISSION OF J&M TRUCK BODIES IS PROHIBITED.	Date
				A	9/25/2025
					Drawn By.
					SCALE: 1:8