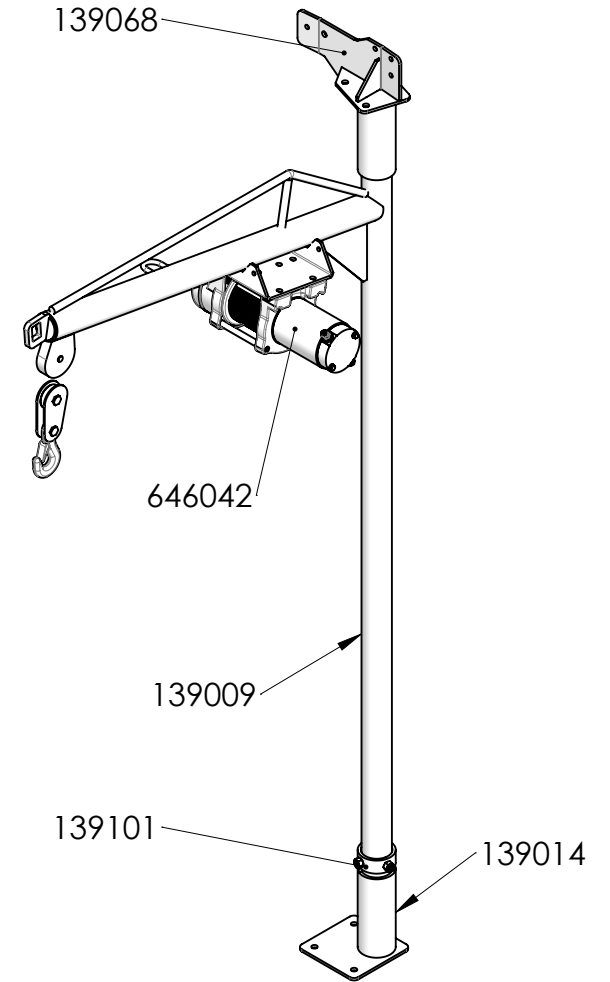
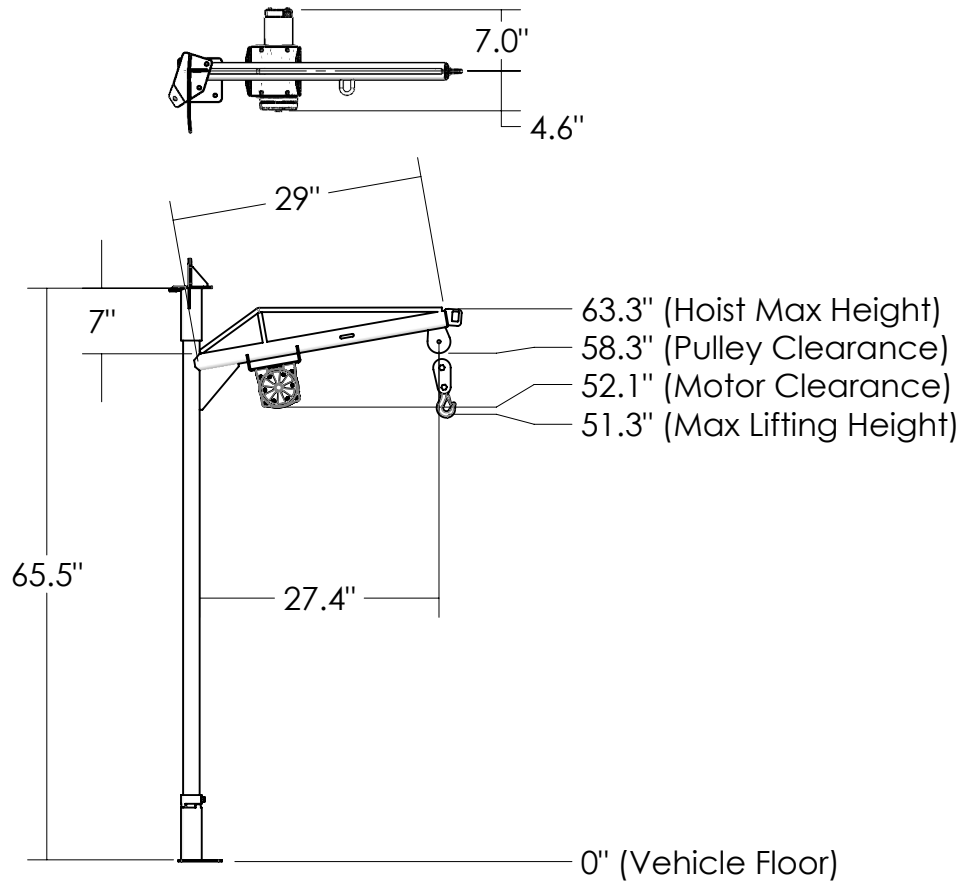


Notes:
 *500Lbs. Lifting Capacity
 *Powdercoated Black



13	642673	3	5/16"-18 x 3/4" Dome Head Bolt - Stainless
12	642156	3	5/16-18 Nyloc Flange Nut - Zinc
11	642440	2	6mm x 1.00 - Nyloc Flange Nut - Zinc
10	642205	3	5/16 x 1-1/4" - Flanged Hex Head Sheet Metal Screw
9	649154	1	Hoist Electrical Hardware Kit (not shown)
8	646042	1	Winch Motor - Steel Line 12v With Handheld Remote
7	646001	1	Winch Pully Block - Attached to Cable on Motor
6	131045	1	Pulley w/ Axle and Cotter Pin
5	139101	1	Pivot Tube Stop Asm
4	132002	1	Lower Mount - Under Support Plate
3	139014	1	Lower Mount Asm. - Corner Base Plate - 5"L x 5"W
2	139053	1	Upper Mount Asm. - 07+ Sprinter - B-Pillar Asm.
1	139009	1	Boom Asm. - 10° x 28.75" Jib x 66"L Extended Boom
#	PART NO.	QTY.	DESCRIPTION

Rev. Weight
 -- 46.97 Lbs.


 7541 Chapman Ave Unit B
 Garden Grove, Ca 92841

Description 07+ Sprinter - 12V Electric Hoist Kit - B-Pillar - Lo-Roof - Pass Side

Material Mild Steel (Black) Item No. 130056

PROPRIETARY AND CONFIDENTIAL
 THE INFORMATION CONTAINED IN THIS DRAWING IS THE SOLE PROPERTY OF J&M TRUCK BODIES. ANY REPRODUCTION IN PART OR AS A WHOLE WITHOUT THE WRITTEN PERMISSION OF J&M TRUCK BODIES IS PROHIBITED.
 SIZE Date 4/7/2026
 A Drawn By. J. Chauvin
 SCALE: 1:18

5

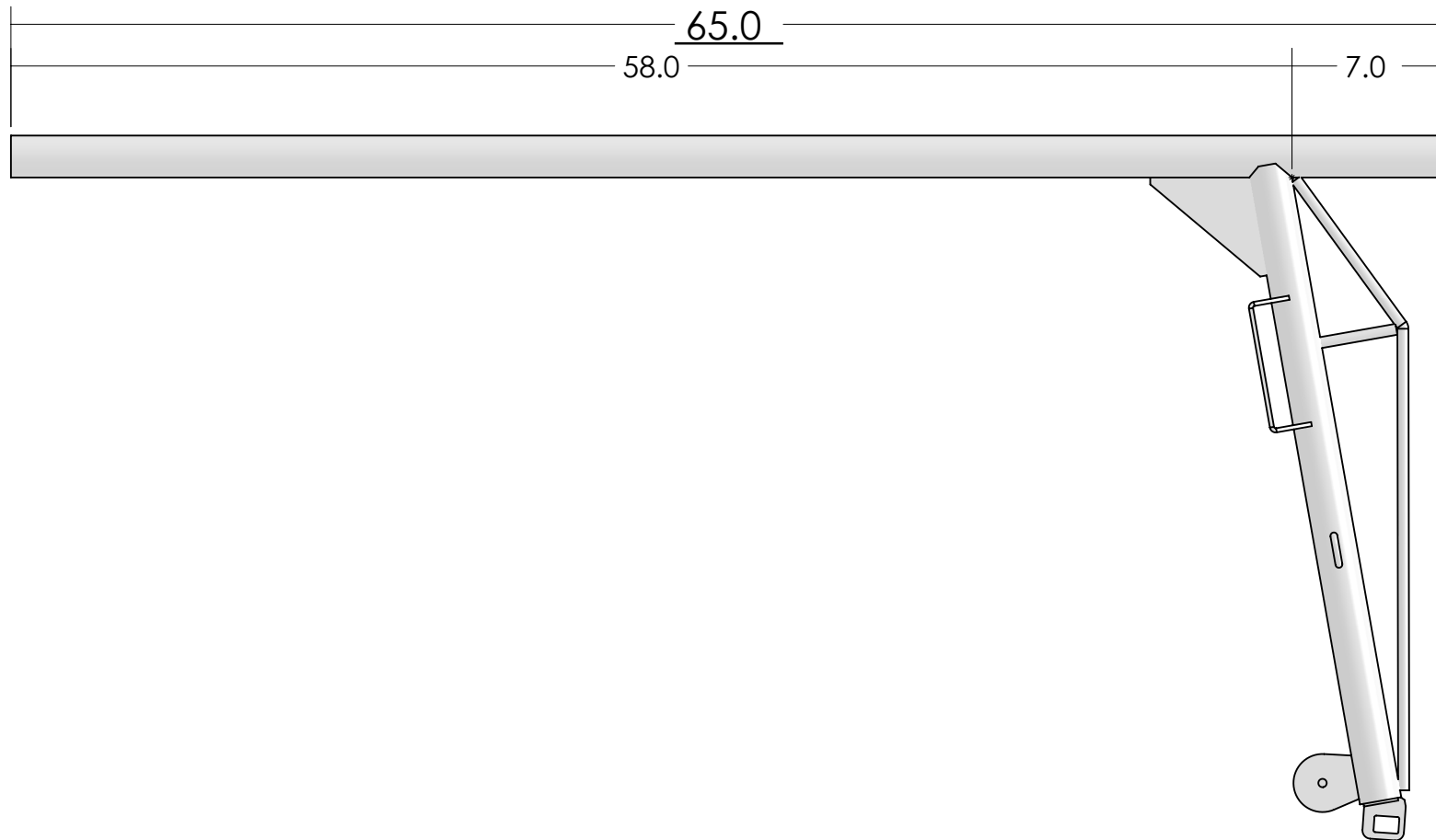
4

3

2

1

Cut Boom As Shown



Rev.		Weight		Description	
--		Lbs.		07+ Sprinter - 12V Electric Hoist Kit - Side Door B-Pillar - Lo Roof - Passenger Side	
		Material		Item No.	
		Mid Steel (Black)		130056	
		PROPRIETARY AND CONFIDENTIAL		Date	
		THE INFORMATION CONTAINED IN THIS DRAWING IS THE SOLE PROPERTY OF J&M TRUCK BODIES. ANY REPRODUCTION IN PART OR AS A WHOLE WITHOUT THE WRITTEN PERMISSION OF J&M TRUCK BODIES IS PROHIBITED.		4/7/2026	
		7541 Chapman Ave Unit B Garden Grove, Ca 92841		A Drawn By.	
				SCALE: 1:8	