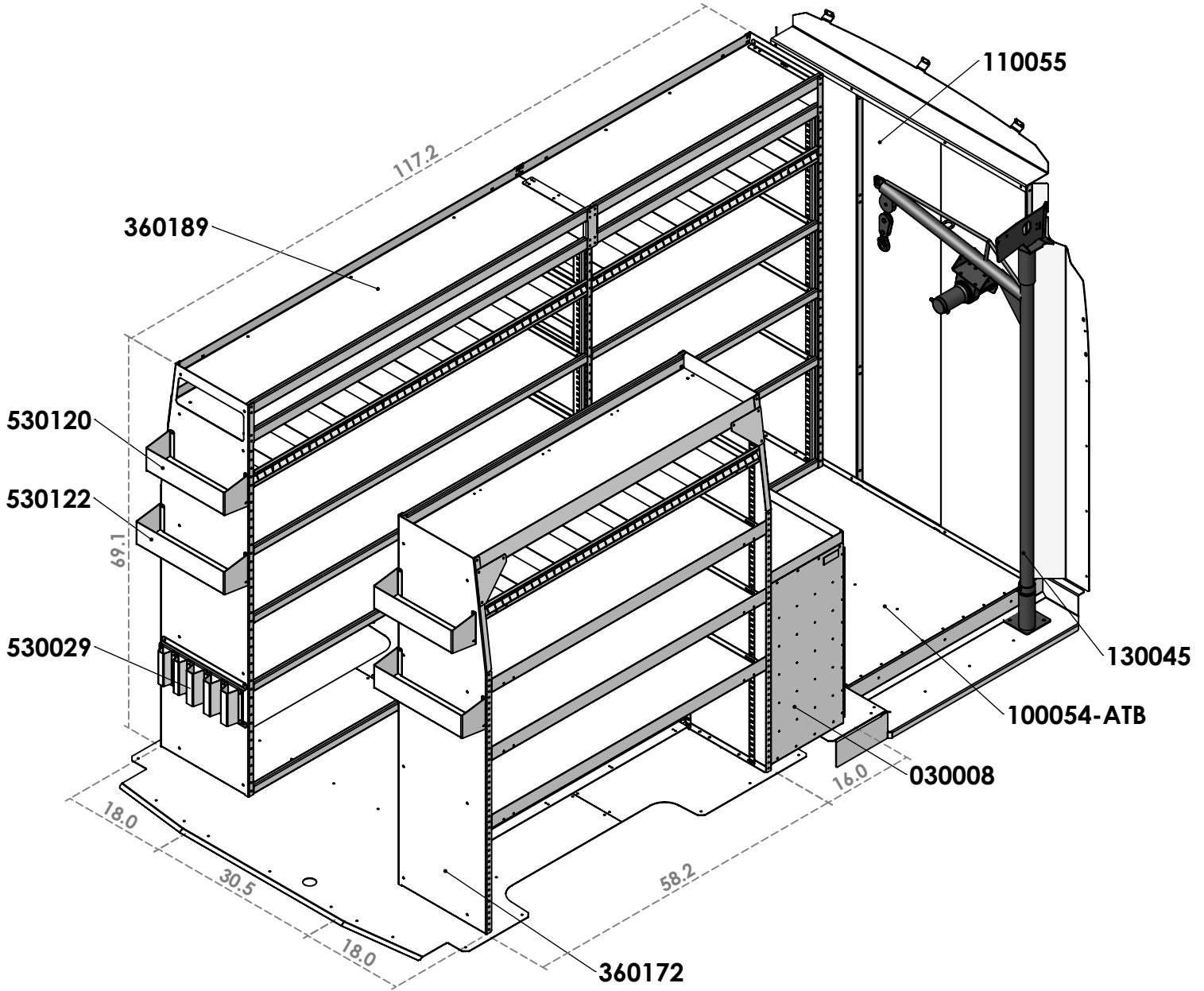


FT5123

14+ Ford Transit - HR 148WB - Plumber Package

- » Durable & lightweight aluminum construction
- » 18" deep fully adjustable shelves maximize storage space
- » Easy & secure storage for full-length pipe



9	530029	Wrench Holder Mount	1
8	530122	Tray 18w x 4h x 5d	2
7	530120	Tray 16w x 4h x 5d	2
6	030008	Milwaukee Packout Tower	1
5	130045	Hoist - Side Door B-Pillar	1
4	110055	Headboard High-Roof - Solid	1
3	360189	Pipe Tray Shelving - 18 x 69 x 117 - 4 Shelves	1
2	360172	Std Shelving - 18 x 65 x 48 - 4 Shelves	1
1	100054-ATB	Transit Flooring w/ Step - ATB	1

#	Part No.	Description	QTY.
---	----------	-------------	------

