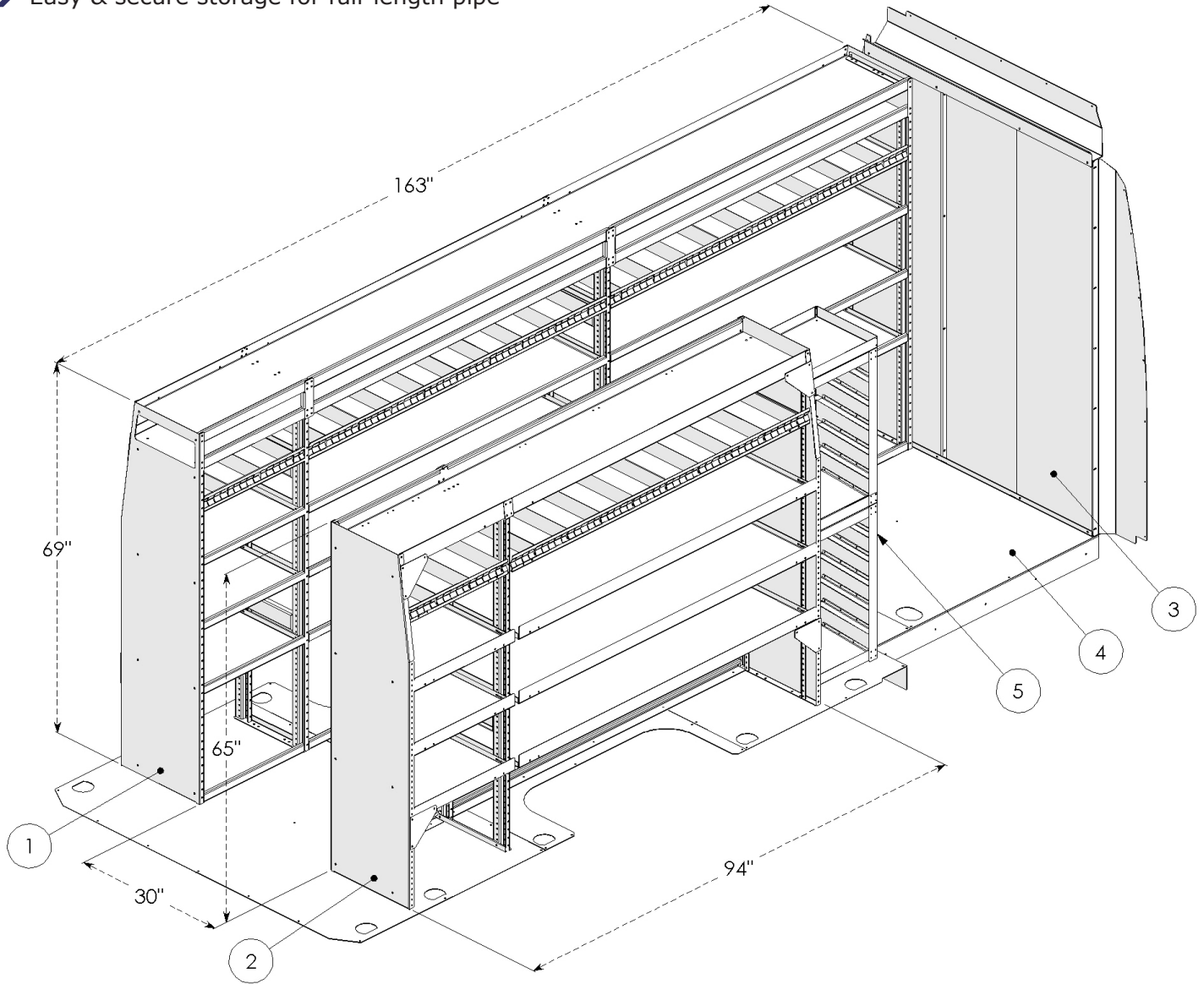


Sprinter Van Pro Package

SP7102

07+ Sprinter - High Roof - 170" Extended Wheel Base - Dual Rear Wheel

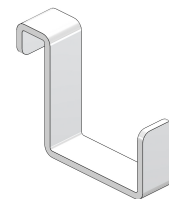
- » Durable & lightweight aluminum construction
- » 18" deep fully adjustable shelves maximize storage space
- » Easy & secure storage for full-length pipe



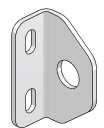
#	DESCRIPTION	QTY.	ITEM NO.
1	Pipe Tray Shelving Unit 4 shelves	1	360312
2	Standard Shelving Unit 4 shelves	1	360017
3	Headboard Solid, No window Flooring	1	110070
4	Treadbrite	1	100039
5	Parts Organizer 6 Milwaukee Packout	2	030008

Options are available for items in this package

Comes with: 140020



Slide Hook
(1 Pkg of 5)



Shelving Loop
(1 Pkg of 10)

